



INSTRUCTIONS

GEI-74672

INSTANTANEOUS OVERCURRENT RELAY

PJC3IK

POWER SYSTEMS MANAGEMENT DEPARTMENT

GENERAL  ELECTRIC

GEI-74672 Instantaneous Overcurrent Relay PJC31K

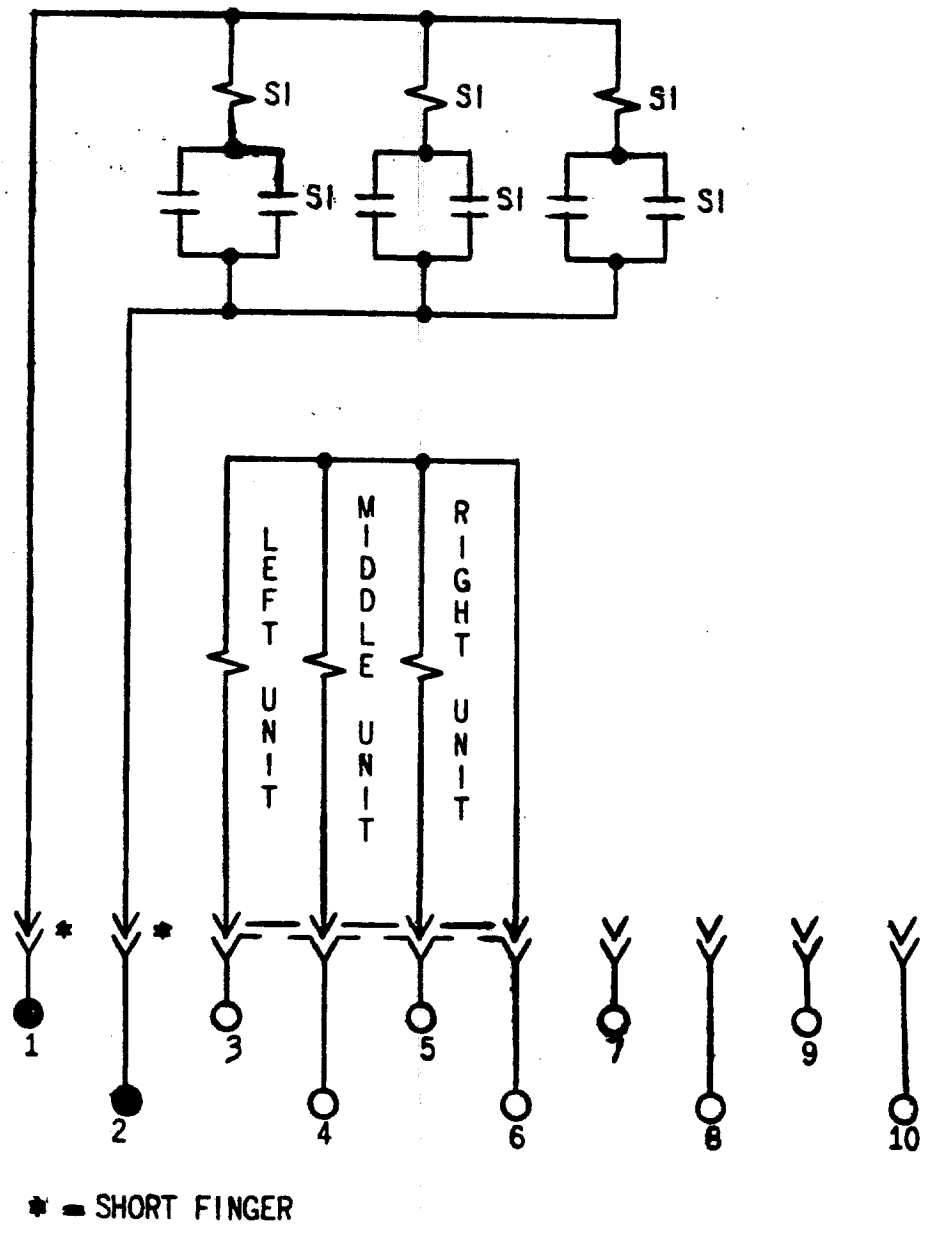


Fig. 1 (0127A9575-0) Internal Connections for Relay PJC31K (Front View)

INSTANTANEOUS OVERCURRENT RELAY PJC31K

INTRODUCTION

This supplement in conjunction with GEI-83903 forms instructions for the instantaneous overcurrent relay PJC31K.

DESCRIPTION

The PJC31K relay consists of three plunger type instantaneous overcurrent units in an S1 case. Three target seal-in units are provided, one for each overcurrent unit.

The internal connections are illustrated in Fig. 1 of this supplement and the outline and panel drilling dimensions are shown in Fig. 14 of GEI-83903.

The APPLICATION, RATINGS, CHARACTERISTICS, TESTING etc. for the PJC31K relay are covered in GEI-83903.

These instructions do not purport to cover all details or variations in equipment nor to provide for every possible contingency to be met in connection with installation, operation or maintenance. Should further information be desired or should particular problems arise which are not covered sufficiently for the purchaser's purposes, the matter should be referred to the General Electric Company.



GE Power Management

215 Anderson Avenue
Markham, Ontario
Canada L6E 1B3
Tel: (905) 294-6222
Fax: (905) 201-2098
www.GEindustrial.com/pm