



INSTRUCTIONS

GEK-49935
Insert Booklet GEK-27893

INSTANTANEOUS OVERCURRENT RELAY

TYPE PJC

MODEL 12PJC99AF(-)A

INTRODUCTION

This booklet along with the information in GEK-27893, form the instructions for the 12PJC99AF(-)A relay.

DESCRIPTION

The 12 PJC99AF001A relay is similar to the 12PJC32H56A except that the internal wiring has been revised per the customer request. The internal connections diagram is shown in Fig. 1 of this booklet.

These instructions do not purport to cover all details or variations in equipment nor to provide for every possible contingency to be met in connection with installation, operation or maintenance. Should further information be desired or should particular problems arise which are not covered sufficiently for the purchaser's purposes, the matter should be referred to the General Electric Company.

To the extent required the products described herein meet applicable ANSI, IEEE and NEMA standards; but no such assurance is given with respect to local codes and ordinances because they vary greatly.

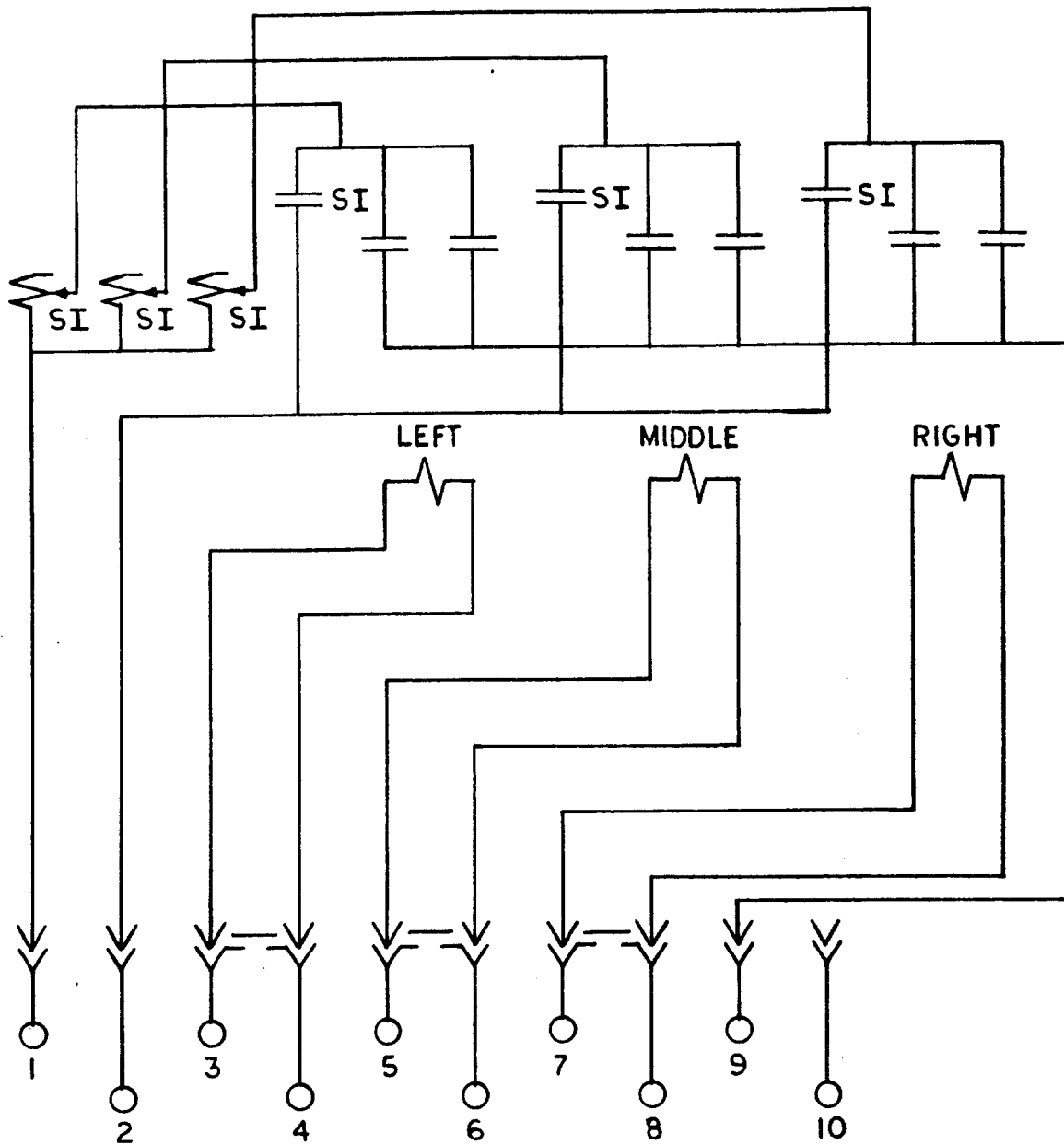


Figure 1 (0273A9541-0) Internal Connections Diagram for the 12PJC99AF(-)A Relay