



INSTRUCTIONS

PLS1B56C1CL2XB025

HYBRID SCHEME WITH SINGLE FSK CHANNEL FOR UNCOMPENSATED LINES

INTRODUCTION

These instructions, GEK-100662 together with GEK-90671, constitute the complete instructions for the PLS1B56C1CL2XB025.

DESCRIPTION

These relays have the following difference from the standard PLS relay described in GEK-90671.

1. Three trip and three BFI contacts per phase
2. DLA-18, Any Trip, is isolated from DLA Common Bus.

ATTACHMENTS

Figure 1 (0145D8895) Elementary Diagram

Figure 2 (0153D6084 Sh.1 and Sh.2) Logic Diagram

These instructions do not purport to cover all details or variations in equipment nor provide for every possible contingency to be met in connection with installation, operation or maintenance. Should further information be desired or should particular problems arise which are not covered sufficiently for the purchaser's purposes, the matter should be referred to the General Electric Company.

To the extent required the products described herein meet applicable ANSI, IEEE and NEMA standards; but no such assurance is given with respect to local codes and ordinances because they vary greatly.

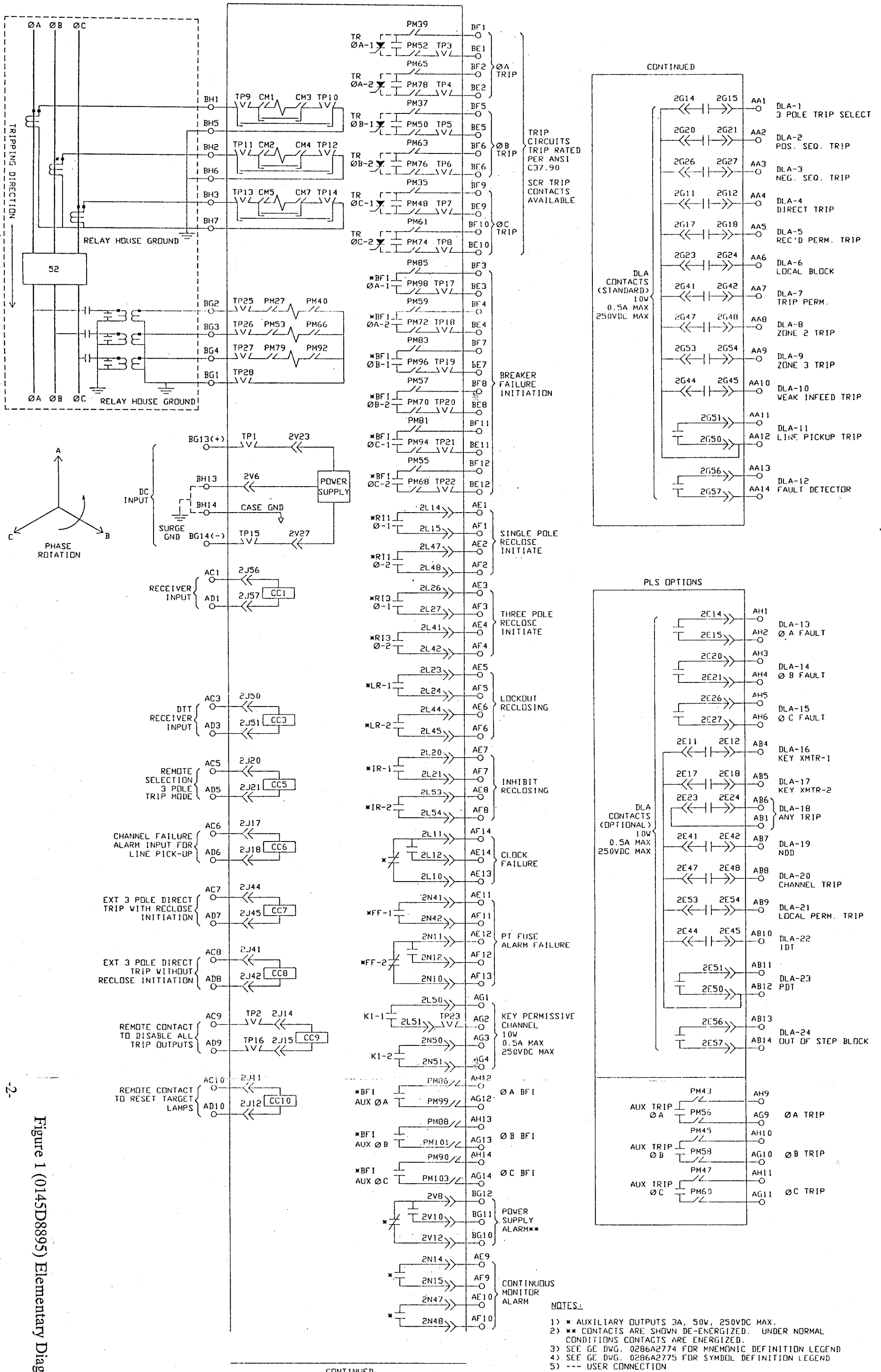
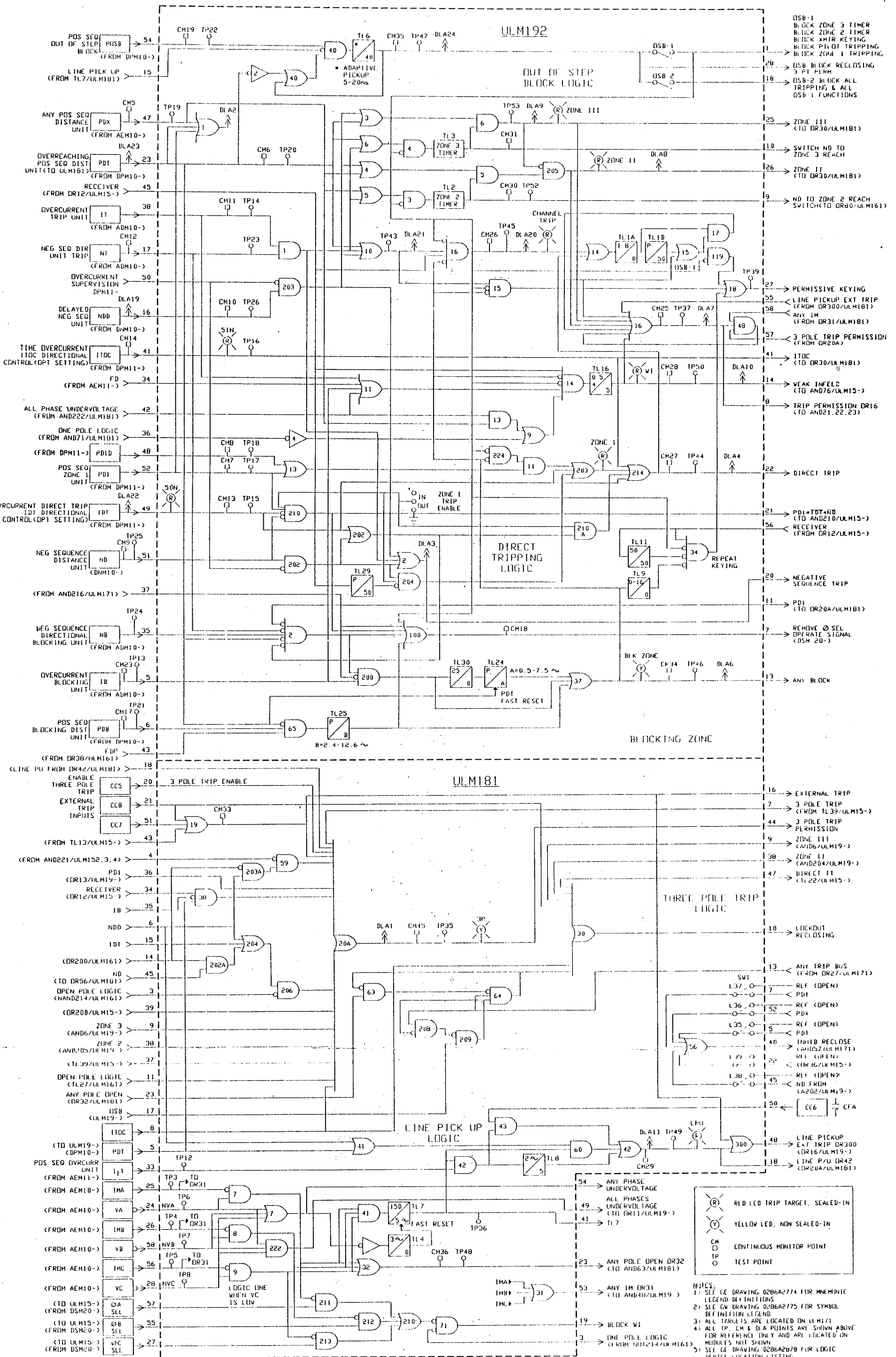


Figure 1 (0145D8895) Elementary Diagram

- NOTES:
- 1) * AUXILIARY OUTPUTS 3A, 50W, 250VDC MAX.
 - 2) ** CONTACTS ARE SHOWN DE-ENERGIZED. UNDER NORMAL CONDITIONS CONTACTS ARE ENERGIZED.
 - 3) SEE GE DWG. 0286A2774 FOR MNEMONIC DEFINITION LEGEND
 - 4) SEE GE DWG. 0286A2775 FOR SYMBOL DEFINITION LEGEND
 - 5) --- USER CONNECTION

Figure 2 (0153D6084 Sh.1) Logic Diagram (continued next page)



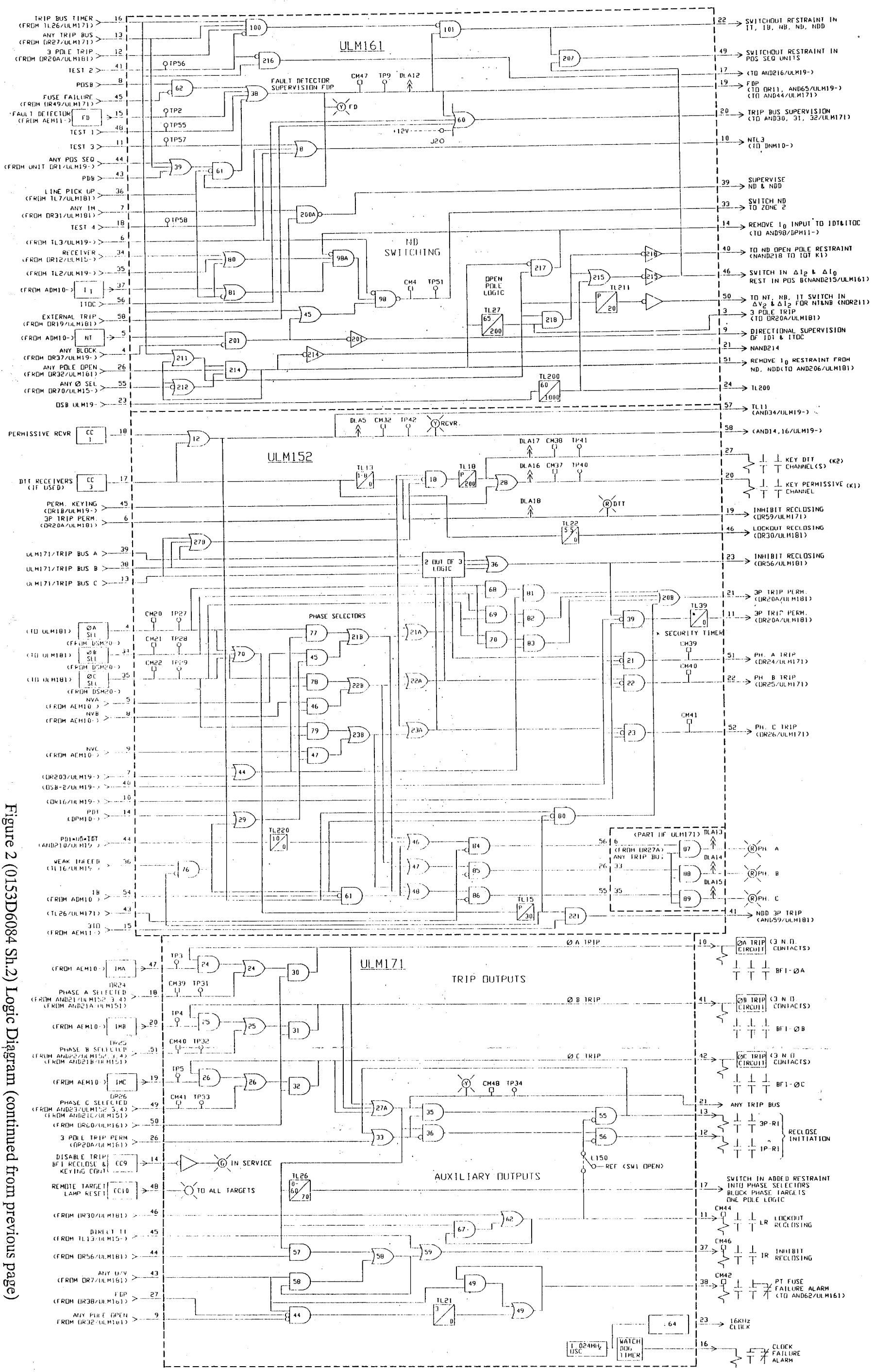


Figure 2 (0153D6084 Sh.2) Logic Diagram (continued from previous page)

(3/94) (50) General Electric Protection and Control Business Dept., Malvern, PA 19355