



INSTRUCTIONS

GEK-34009
Insert Booklet- GEK-26400

D.C. OPERATED TIMING RELAY

TYPE SAM16B

INTRODUCTION

This supplement in addition to GEK-26400 constitutes the instructions for the SAM16B relay.

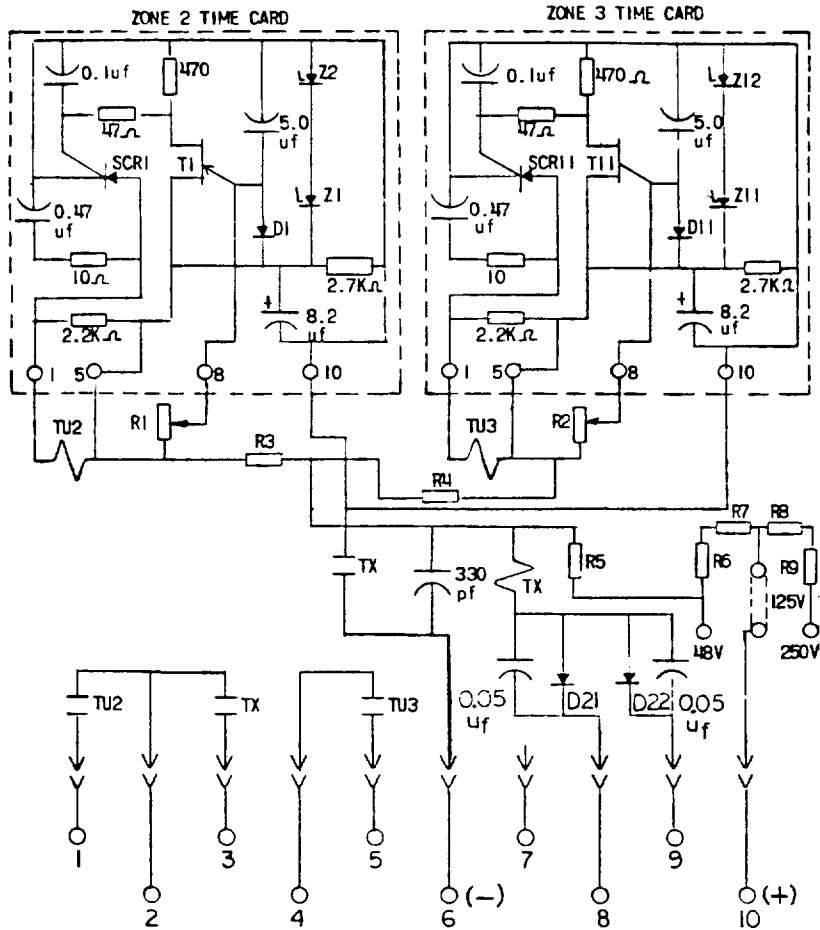
DESCRIPTION

Relay SAM16B is similar to the SAM16A except as follows:

1. The relay is wired for an inverted trip bus, which is not the preferred way. (Since such a connection can lead to electrolytic corrosion). An inverted trip bus is one where the positive bus is connected directly to the relay and the relay is connected to the negative bus through an initiating contact.
2. The internal connections are as shown in figure 1 of this supplement.

These instructions do not purport to cover all details or variations in equipment nor to provide for every possible contingency to be met in connection with installation, operation or maintenance. Should further information be desired or should particular problems arise which are not covered sufficiently for the purchaser's purposes, the matter should be referred to the General Electric Company.

GENERAL  ELECTRIC



* SHORT FINGERS

FIG. 1A (0227A7179-0) Sh. 1 Internal Connections Diagram For The SAM16B Relay (Front View)

MODEL	FORM		
12SAM6B(-)A			
VOLTS D.C.	48/125/ 250		
RESISTANCE IN OHMS			
TX COIL	1300		
TU2 COIL	650		
TU3 COIL	650		
R1	1.5 MEG.		
R2	1.5 MEG.		
R3	400		
R4	400		
R5	30		
R6	250		
R7	250		
R8	375		
R9	375		

FIG. 1B (0227A7179-0) Sh. 2 Internal Connections Continued

