



D.C. TIMING RELAY

TYPE SAM

MODEL 12SAM17D(-)A

INTRODUCTION

These instructions plus those included in GEK-26400 form the instructions for the model 12SAM17D(-)A relay.

DESCRIPTION

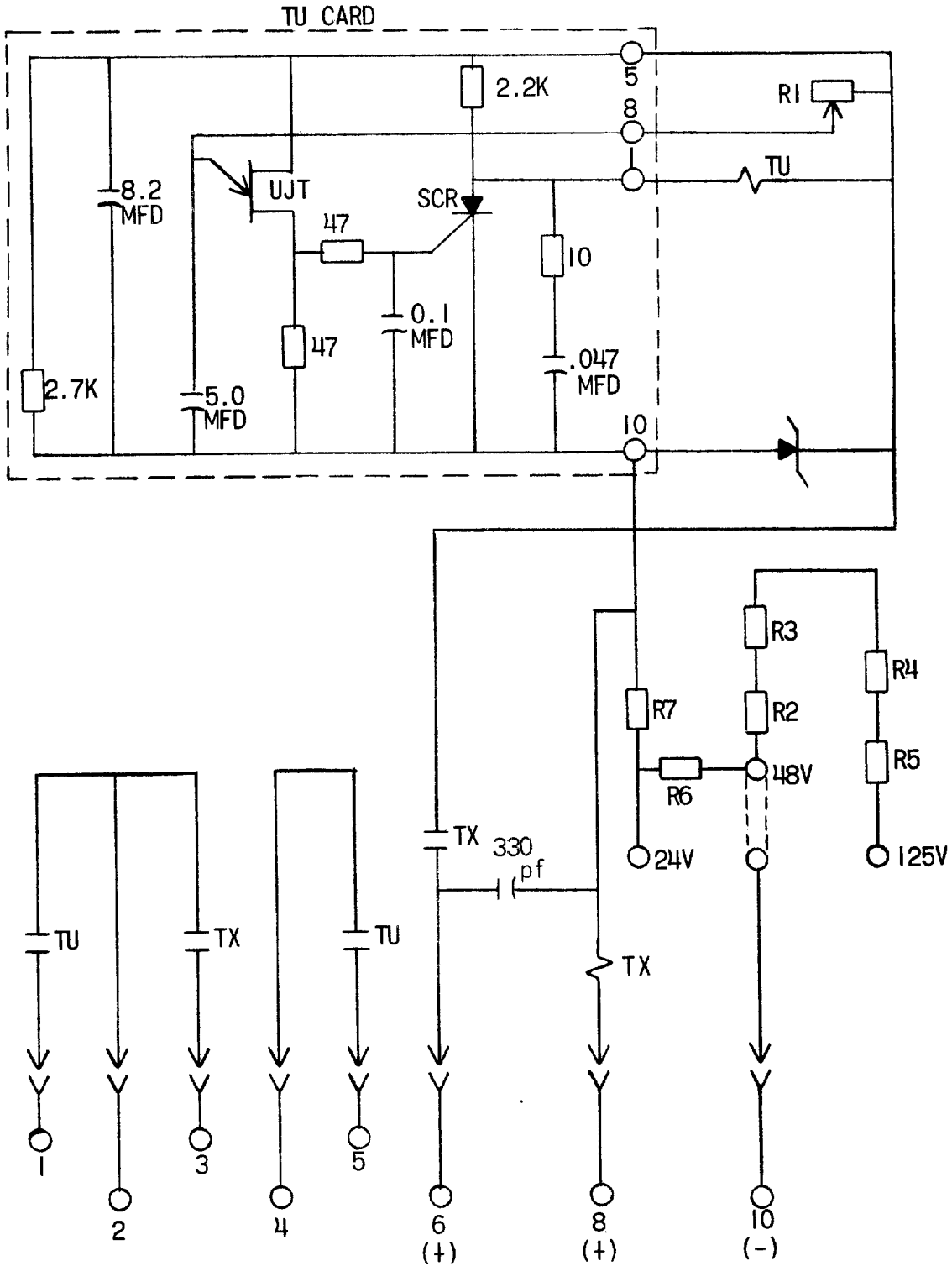
The model 12SAM17D(-)A is similar to the model 12SAM17A(-)A except that it is designed for operation on 24, 48, or 125 volts. The internal connections are given in figure 1 of this supplement. The burden data is as given in Table A below.

TABLE A

WATTS DISSIPATED AT RATED VOLTAGE

| VOLTS | WATTS |
|-------|-------|
| 24    | 8.6   |
| 48    | 10    |
| 125   | 25    |

These instructions do not purport to cover all details or variations in equipment nor to provide for every possible contingency to be met in connection with installation, operation or maintenance. Should further information be desired or should particular problems arise which are not covered sufficiently for the purchaser's purposes, the matter should be referred to the General Electric Company.



5 ○ = PIN NUMBERS ON PRINTED CIRCUIT CARD

FIG. 1 (0227A7184-0) Internal Connections For 12SAM17D(-)A