



INSTRUCTIONS

GEK-34088A

Insert Booklet - GEK-26400

STATIC D.C. TIMING RELAY

TYPE SAM

MODEL SAM17G(-)A

INTRODUCTION

These instructions plus those included in GEK-26400 form the instructions for the Model 12SAM17G(-)A.

DESCRIPTION

The Model 12SAM17G(-)A is similar to the Model 12SAM17B(-)A except:

1. The SAM17G(-)A has only one target; it is mounted on the upper left and is called T2. Its rating is given on the relay nameplate.
2. The internal connections of the SAM17G(-)A are shown in Figure 1 of this supplement.

These instructions do not purport to cover all details or variations in equipment nor to provide for every possible contingency to be met in connection with installation, operation or maintenance. Should further information be desired or should particular problems arise which are not covered sufficiently for the purchaser's purposes, the matter should be referred to the General Electric Company.

To the extent required the products described herein meet applicable ANSI, IEEE and NEMA standards; but no such assurance is given with respect to local codes and ordinances because they vary greatly.

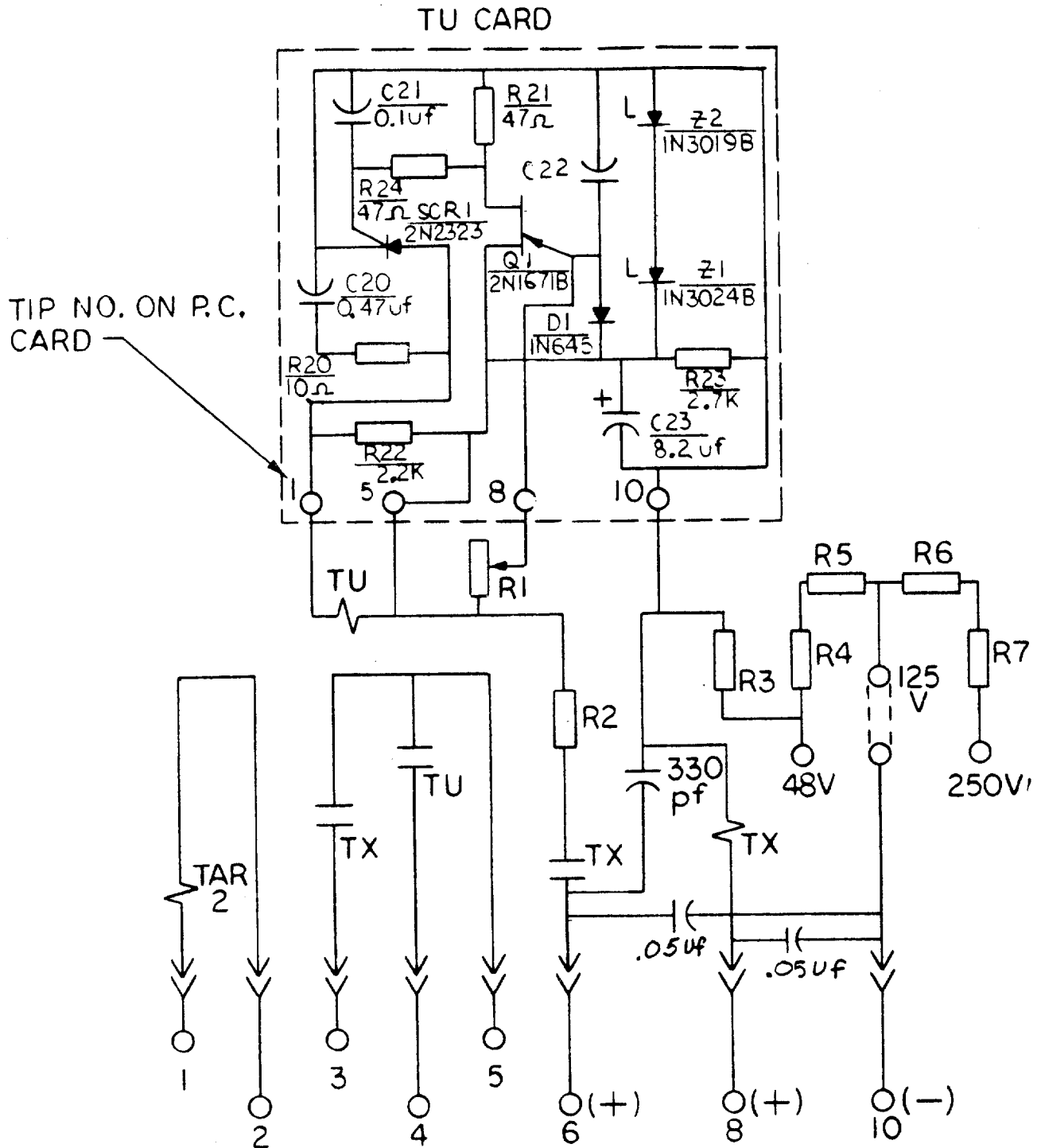


FIG. 1 (0246A2409[3]) Internal Connections For 12SAM17G(-)A