



STATIC TIMING RELAY
TYPE SAM
MODEL 0208A8459

INTRODUCTION

These instructions plus those included in GEK-7393 form the instructions for the Model 0208A8459.

DESCRIPTION

The model 0208A8459 is similar to the model 12SAM11A(-)A described in the attached booklet except:

1. The internal connections are different since model 0208A8459 has seven normally open TU contacts and two target seal-in units. The internal connections are shown in Figure A of this supplement.
2. The model 0208A8459 is mounted in a small double ended (S2) case. The outline and panel drilling dimensions are shown in Figure B of this supplement.
3. The two target and seal-in units are mounted on the upper left and right (front view). These units each have a dual rating which may be changed by repositioning the tap screw.

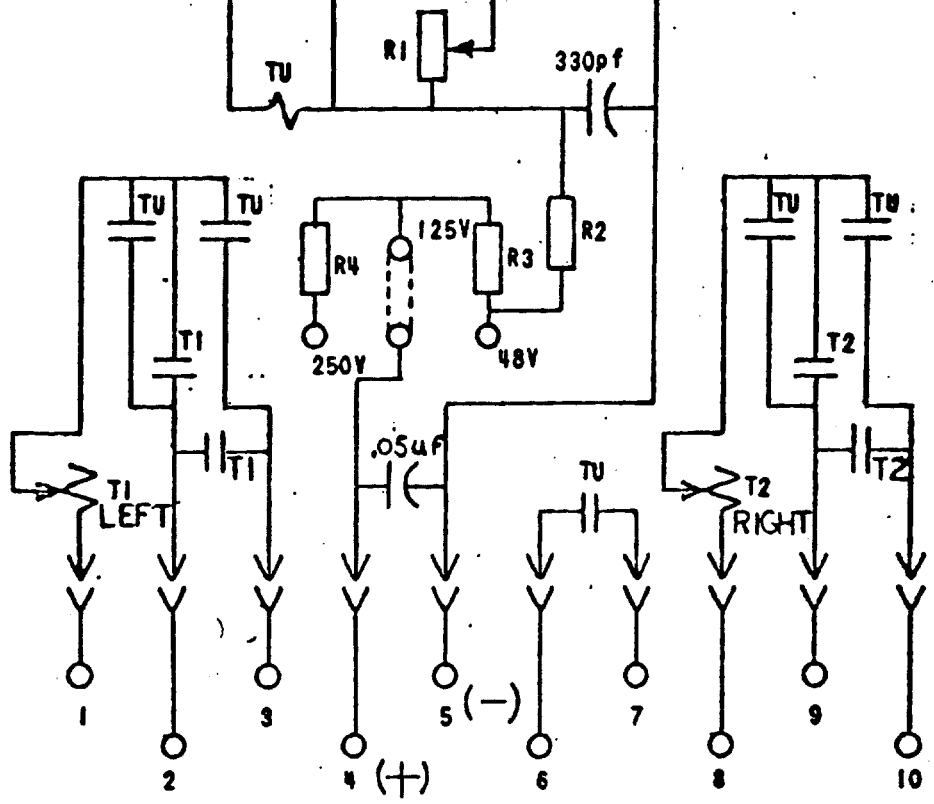
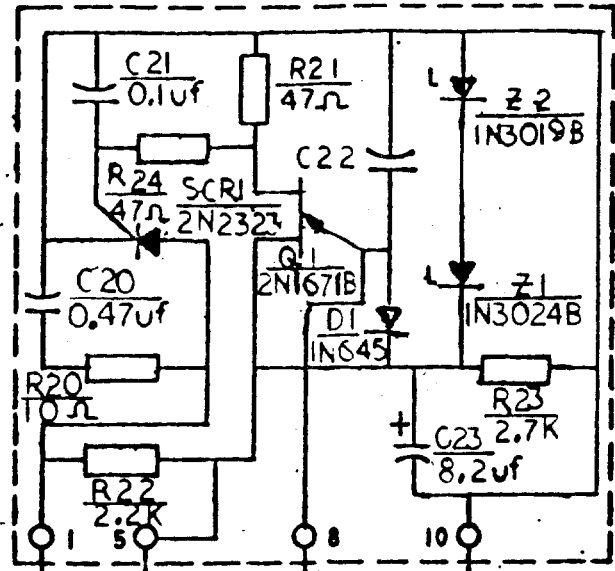
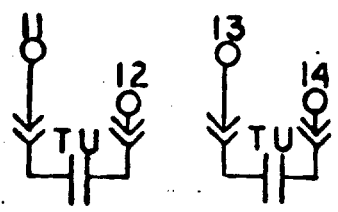
The tap screw is the screw holding the right-hand stationary contact of the seal-in unit. To change the tap setting, first remove the connecting plug. Then, take a screw from the left-hand stationary contact and place it in the desired tap. Next, remove the screw from the other tap and place it in the left hand contact. This procedure is necessary to prevent the right-hand stationary contact from getting out of adjustment. Screws should not be in both taps at the same time.

The current carrying capacity of the contact circuit is limited by the target coil as shown in the table below.

CHARACTERISTICS OF SEAL-IN UNIT

	TAP				
	0.2	0.6	1	2	4
D. C. RESISTANCE \pm 10% (OHMS)	7	0.6	0.21	0.13	0.06
MIN. OPERATING (AMPERES)	0.2	0.6	1.0	2.0	4.0
CARRY CONT. (AMPERES)	0.3	0.9	1.5	3	6
CARRY 30 AMPS FOR (SEC.)	0.03	0.5	1.4	4	7
CARRY 10 AMPS FOR (SEC.)	0.25	4	12	30	60
60 HZ IMPEDANCE (OHMS)	52	6	2.1	0.53	0.13

These instructions do not purport to cover all details or variations in equipment nor to provide for every possible contingency to be met in connection with installation, operation or maintenance. Should further information be desired or should particular problems arise which are not covered sufficiently for the purchaser's purposes, the matter should be referred to the General Electric Company.



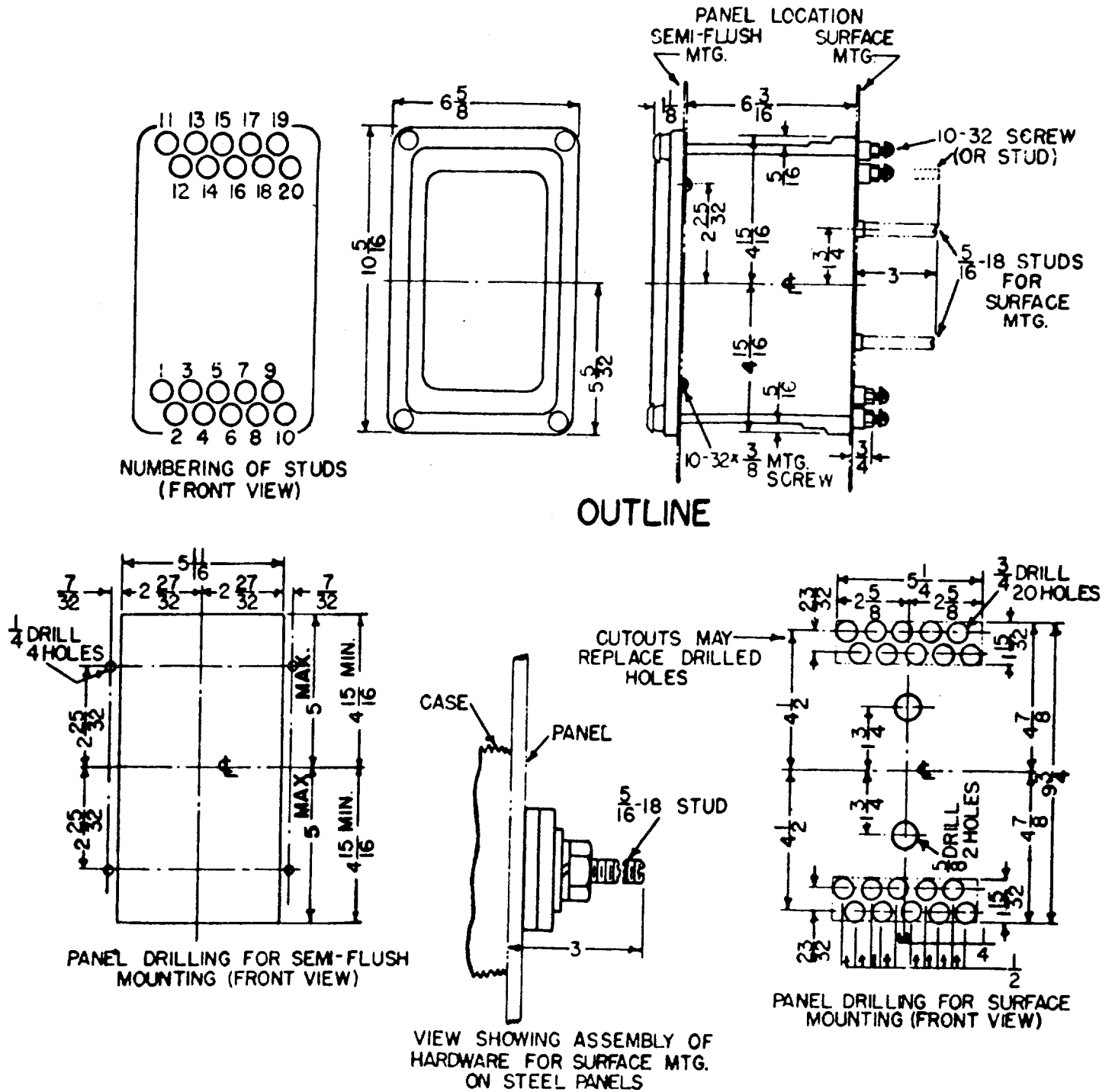


FIG. 2 (K-6209272-2) Outline And Panel Drilling Dimensions For Model 0208A8459 Relay



***Meter and Control
Business Department***

*General Electric Company
205 Great Valley Parkway
Malvern, PA 19355*