



## INSTRUCTIONS

GEK-65595 A  
Insert Booklet GEK-7393

### AC OPERATED TIMING RELAY

12SAM99AG

TYPE SAM

#### INTRODUCTION

This supplement together with GEK-7393 constitutes the instructions for the 12SAM99AG relay.

#### DESCRIPTION

The 12SAM99AG relay is similar to the 12SAM11B relay with the following exceptions:

1. The 12SAM99AG operates from 120 volts AC, 60 hertz.
2. The AC burden is given in Table 1 of this supplement.
3. The internal connections for the 12SAM99AG are given in Fig. 1 of this supplement.

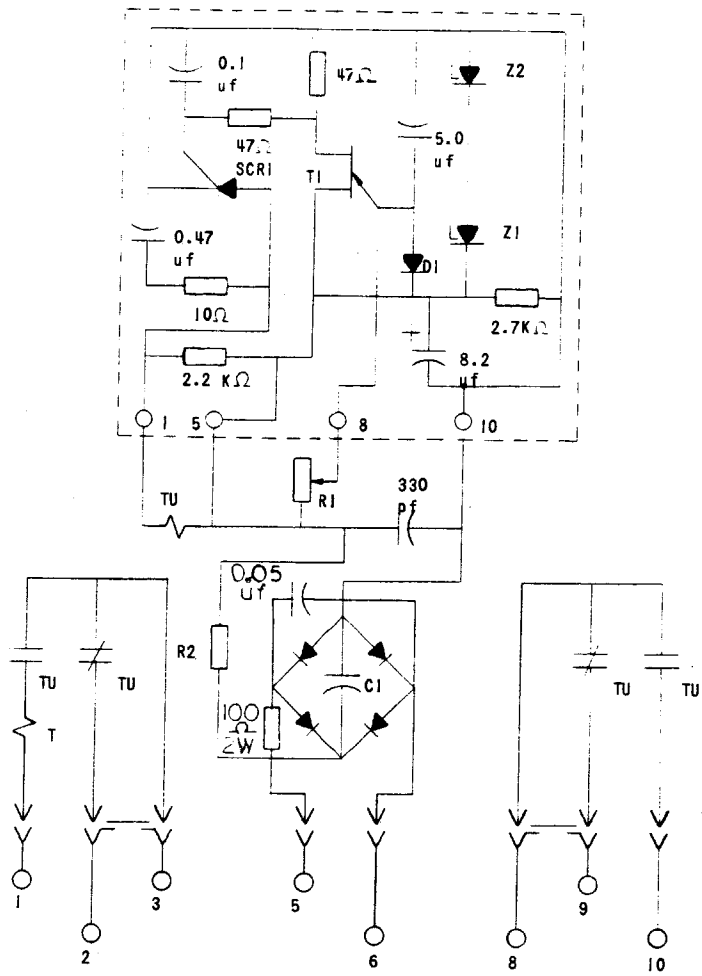
TABLE I

AC Burden for 12SAM99AG Relay

VOLTS	WATTS	VOLT-AMPS
120	4.8	4.8

*These instructions do not purport to cover all details or variations in equipment nor to provide for every possible contingency to be met in connection with installation, operation or maintenance. Should further information be desired or should particular problems arise which are not covered sufficiently for the purchaser's purposes, the matter should be referred to the General Electric Company.*

*To the extent required the products described herein meet applicable ANSI, IEEE and NEMA standards; but no such assurance is given with respect to local codes and ordinances because they vary greatly.*



5 ○ = TIP NO. ON PRINTED CIRCUIT CARD

MODEL	FORM
12SAM18A(-)A	1
VOLTS	120
FREQUENCY	60
RESISTANCE IN OHMS	
TU COIL	650
R1	1.5 MEG.
R2	2.5K
CAPACITANCE IN MFD.	
C1	1

Figure 1 (0227A2527 Sh.1 [3] and Sh.2) Internal Connections for the SAM99AG Relay