



INSTRUCTIONS

GEK-49910A
Insert Booklet GEK-49900

STATIC BREAKER BACK-UP RELAY

SBC99AA001

TYPE SBC RELAY

INTRODUCTION

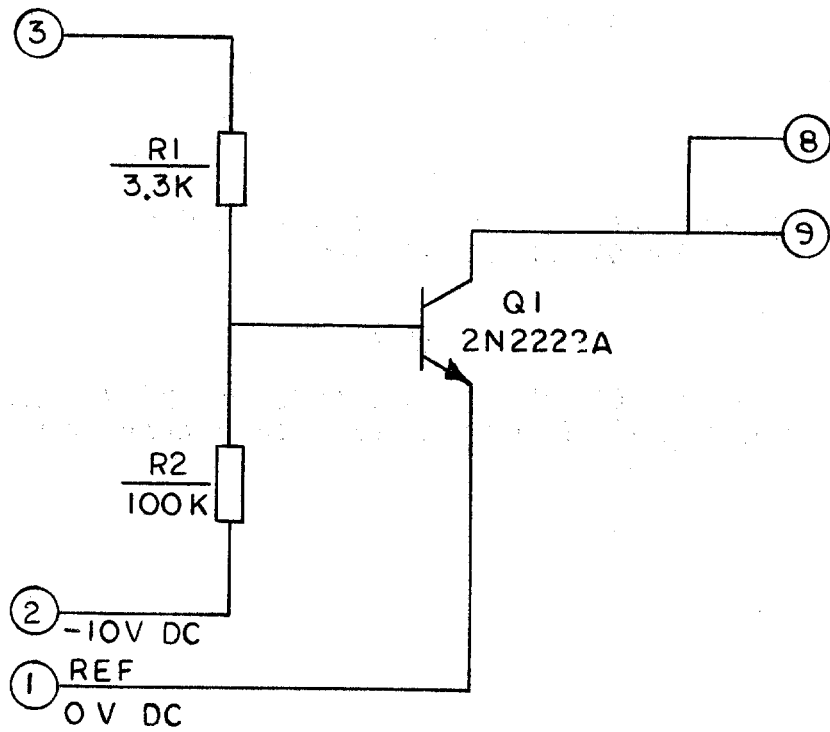
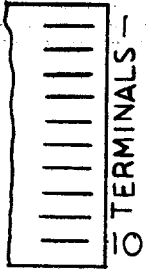
This supplement in addition to GEK-49900 constitutes the instructions for the SBC99AA001 special relay.

DESCRIPTION

The SBC99AA001 relay is similar to the SBC53A except that the time-delay card (PC-2) is replaced by an interface card with no time delay.

These instructions do not purport to cover all details or variations in equipment nor to provide for every possible contingency to be met in connection with installation, operation or maintenance. Should further information be desired or should particular problems arise which are not covered sufficiently for the purchaser's purposes, the matter should be referred to the General Electric Company.

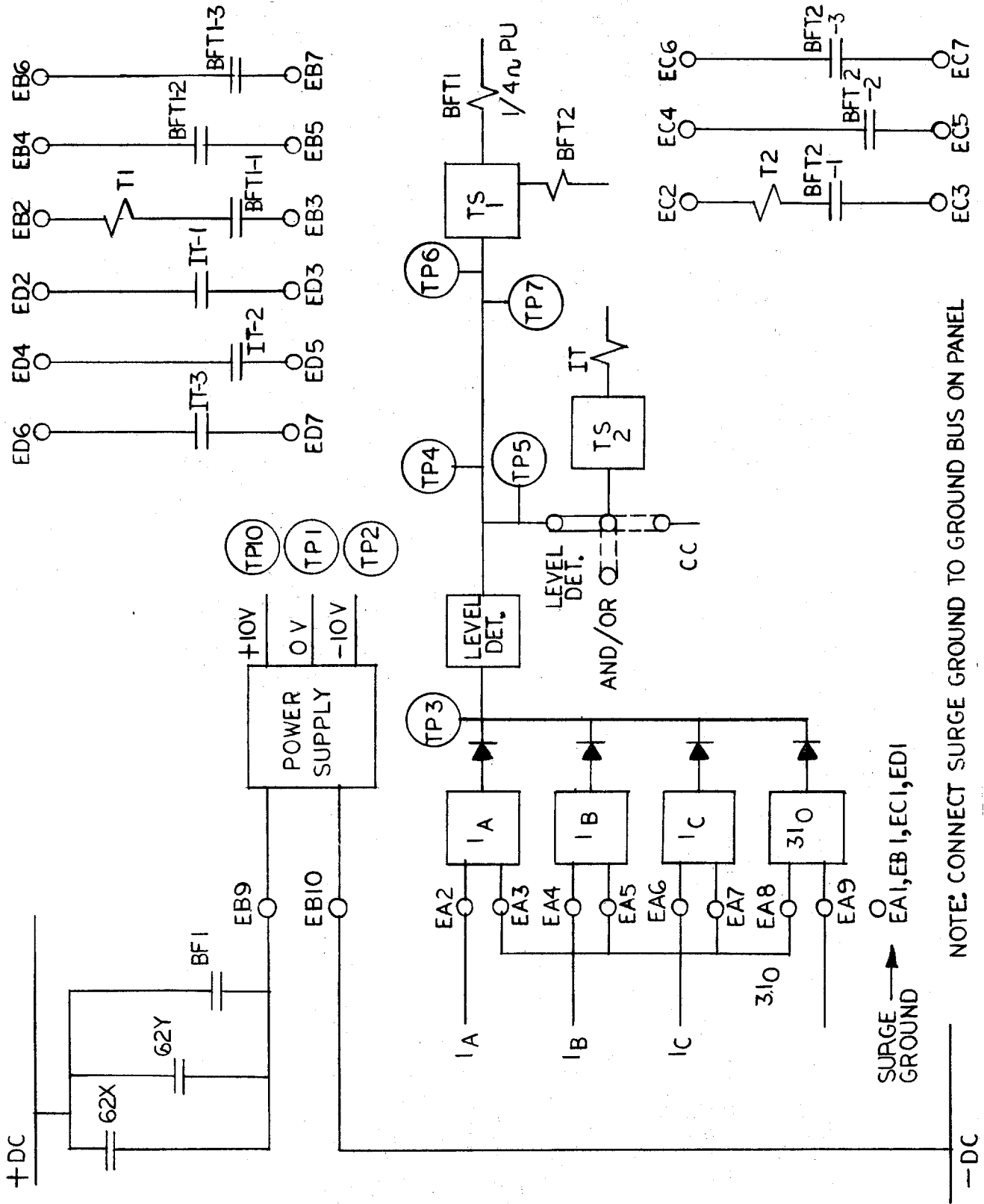
To the extent required the products described herein meet applicable ANSI, IEEE and NEMA standards; but no such assurance is given with respect to local codes and ordinances because they vary greatly.



$R_{1,2} = \frac{1}{2} W, \pm 5\%$
 PC CARD ASM. 0152C847961

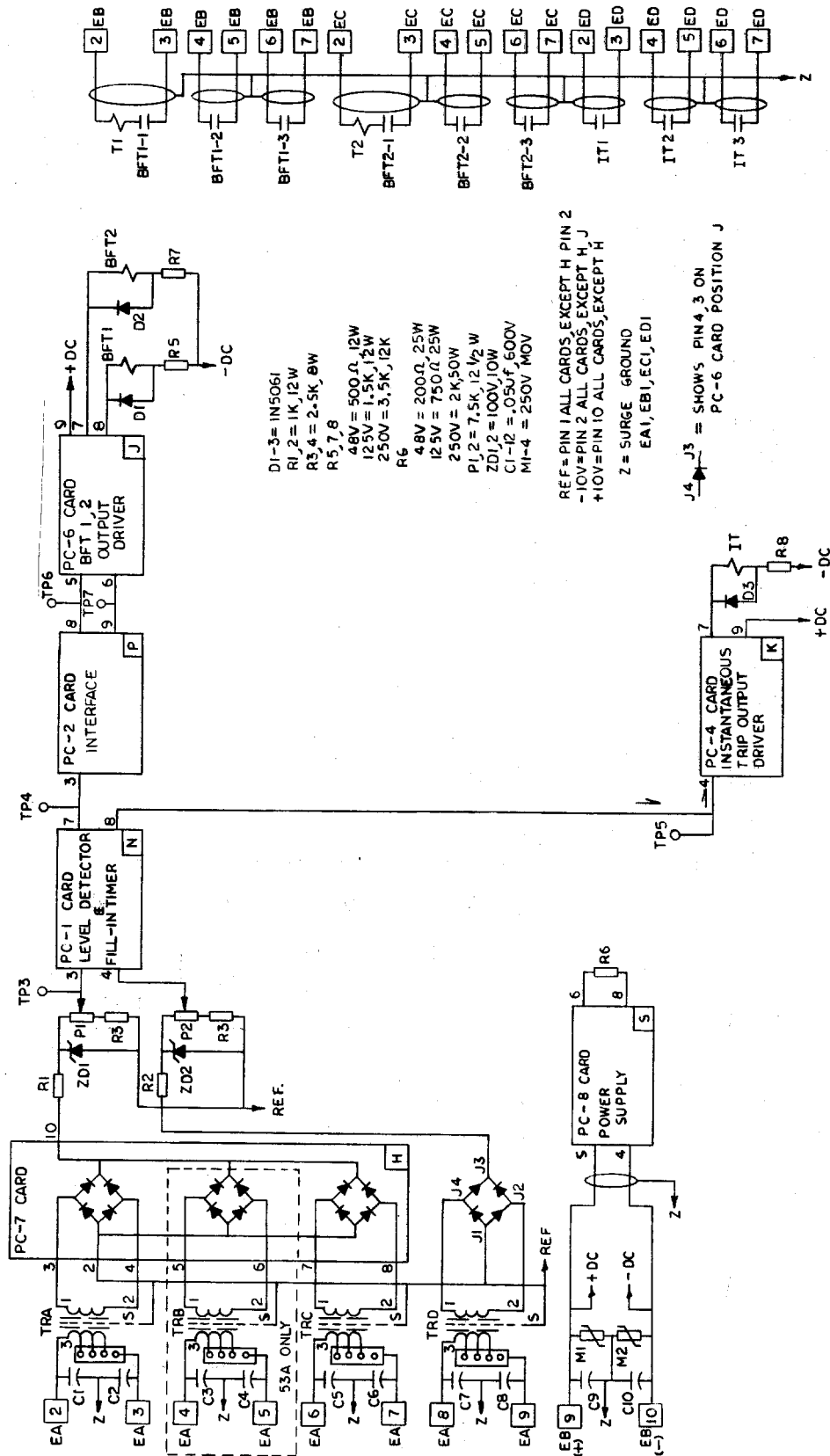
* Fig. 1 (0273A9037-0) Internal Connections of PC-2 Interface Card Used on SBC99AA001

* Indicates revision



NOTE: CONNECT SURGE GROUND TO GROUND BUS ON PANEL

Fig. 2 (0273A9158-0) External Connections of SBC99AA001



* Fig. 3 (0108B9111-0) Internal Connections of SBC99AA001

* Indicates revision