



## INSTRUCTIONS

---

### STATIC BREAKER-FAILURE RELAY MODEL 12SBC99AK(-)D TYPE SBC

#### INTRODUCTION

This instruction booklet, with the attached GEK-45464, provides the instructions for the 12SBC99AK(-)D relay.

#### DESCRIPTION

The 12SBC99AK(-)D relay is similar to the 12SBC23B(-)D relay except for the following:

1. Target T2 is removed from the BFT<sub>2</sub> contact (terminals 19 and 20) and is connected to the IT<sub>1</sub> contact (terminals 11 and 12).
2. Target T2 has been replaced with a target/seal-in unit. The unit, when energized, will seal in around the IT<sub>1</sub> contact.
3. The OUT position of the IT selector switch has been changed to the or/and position. In this new position, the IT unit is operated by the output from the or/and selector switch.

*These instructions do not purport to cover all details or variations in equipment nor provide for every possible contingency to be met in connection with installation, operation, or maintenance. Should further information be desired or should particular problems arise which are not covered sufficiently for the purchaser's purposes, the matter should be referred to the General Electric Company. To the extent required the products described herein meet applicable ANSI, IEEE, and NEMA standards; but no such assurance is given with respect to local codes and ordinances because they vary greatly.*

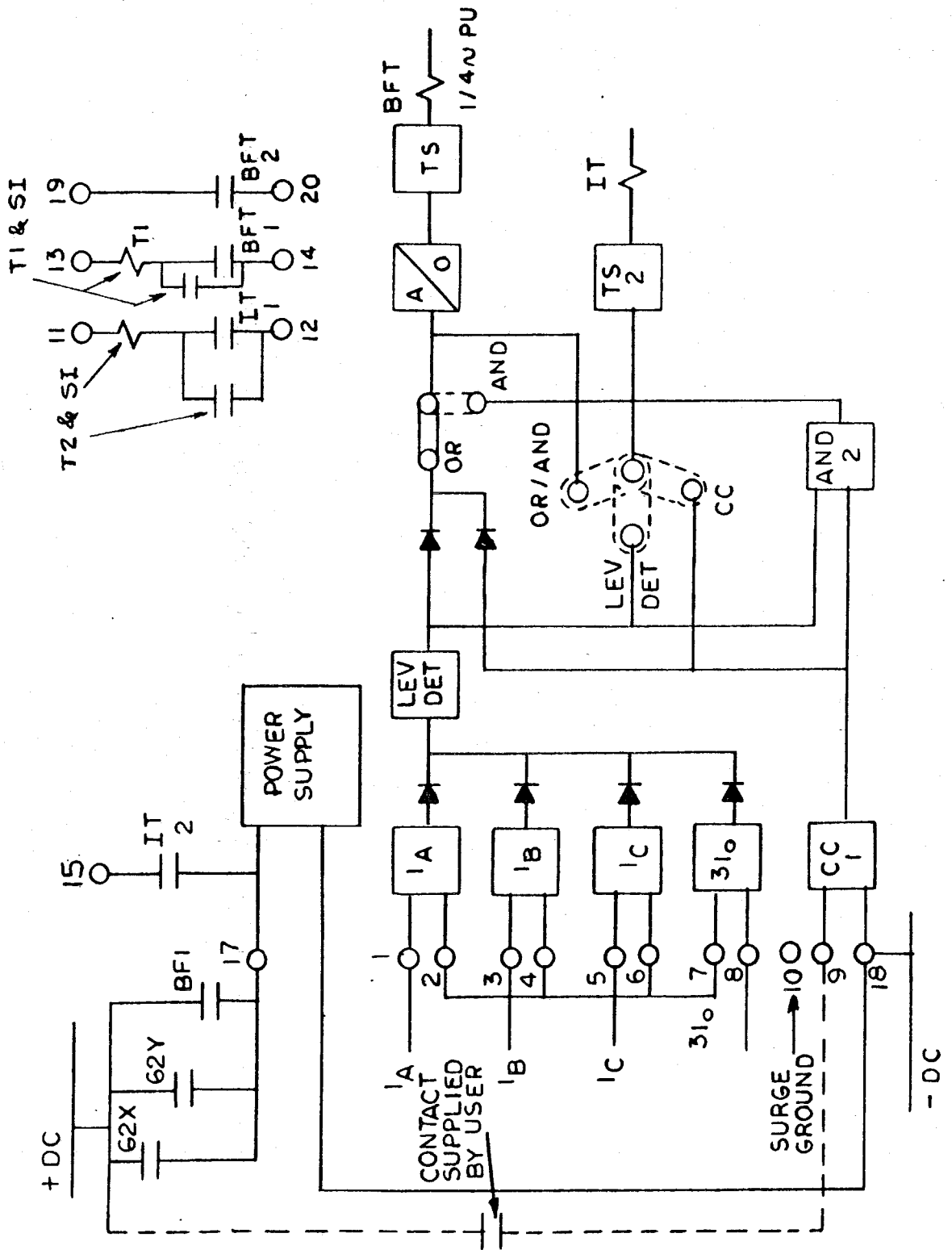
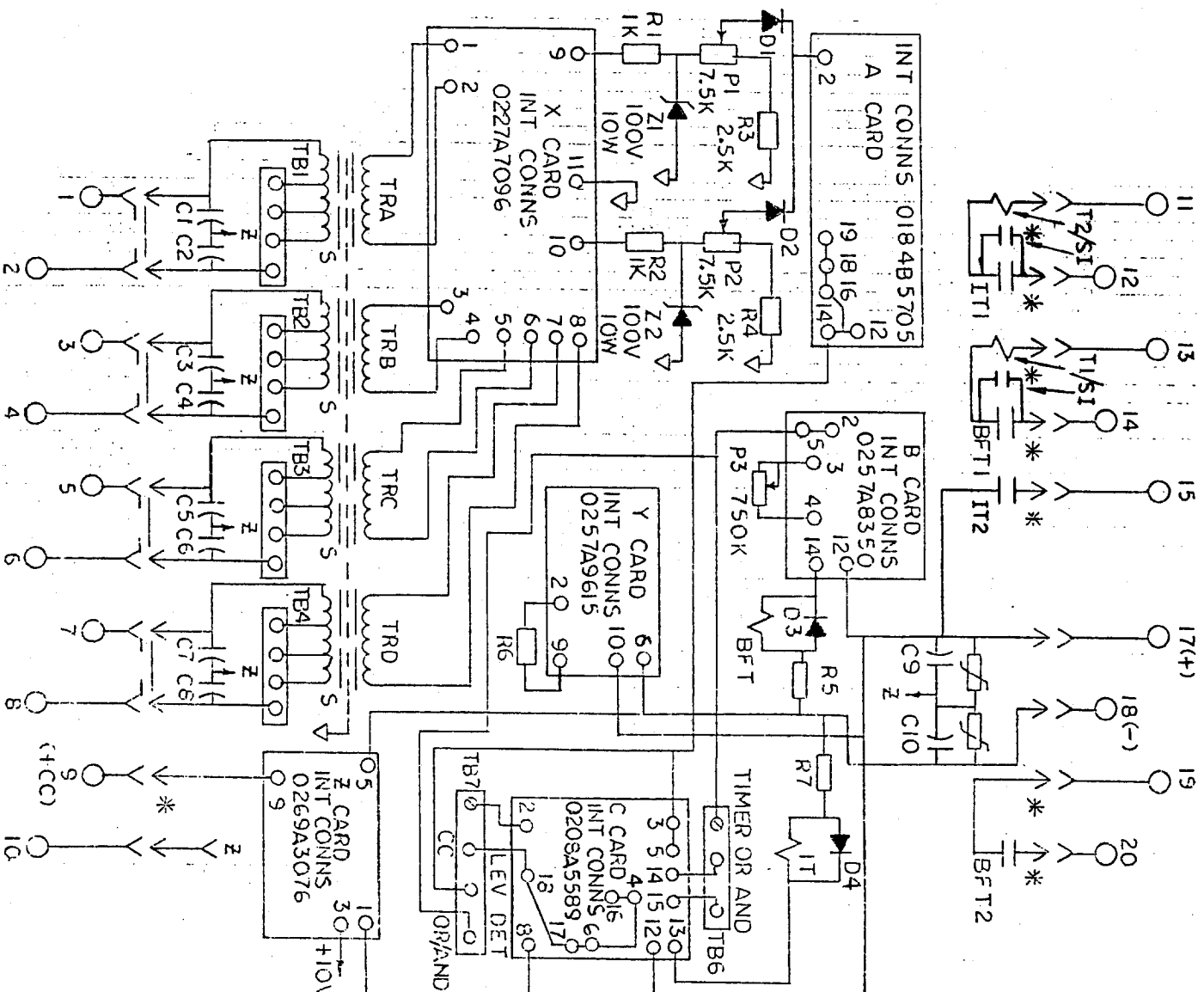


Figure 1 (0286A2901 [1]) External Connection Diagram for the 12SBC99AK(-)D Relay



POWER SUPPLY CONNECTIONS	
+10 VOLTS. TO PINS	
A10, B10, C10, Y3	
REFERENCE TO PINS	
A1, A20, B1, B20, C1, C20	
X11, Y1	
-10 VOLTS. TO PINS	
A11, B11, C11, Y4	

∇ = POWER SUPPLY REFERENCE  
 \* = SHORT FINGER  
 T1 & S1 = LEFT HAND TARGET & SEAL-IN  
 T2 & S2 = RIGHT HAND TARGET & SEAL-IN  
 IT = INSTANTANEAUNEUS TRIP  
 BFT = BREAKER FAILURE TRIP  
 TB = TAP BLOCK  
 TR = TRANSACTOR  
 Z = SURGE GROUND TERMINAL 10  
 CC = CONTACT CONVERTER

V.D.C.	R5 & 7 VALUE
48	500 Ω 12W
125	1500 Ω 12W
250	3500 Ω 12W

V.D.C.	R6 VALUE
48	250 Ω 25W
125	1000 Ω 25W
250	2000 Ω 50W

Figure 2 (0286A2895 Sh.s 1 & 2 [1]) Internal Connections Diagram for the 12SBC99AK(-)D Relay

**GEK-99272**

2/91 (200)

*GE Meter and Control  
205 Great Valley Parkway  
Malvern, PA 19355-0715*