



# INSTRUCTIONS

---

## STATIC FREQUENCY RELAY

### TYPE SFF299A001A

#### INTRODUCTION

These instruction books, GEK-100616 together with GEK-90636, form the instructions for the SFF299A001A relay.

#### DESCRIPTION

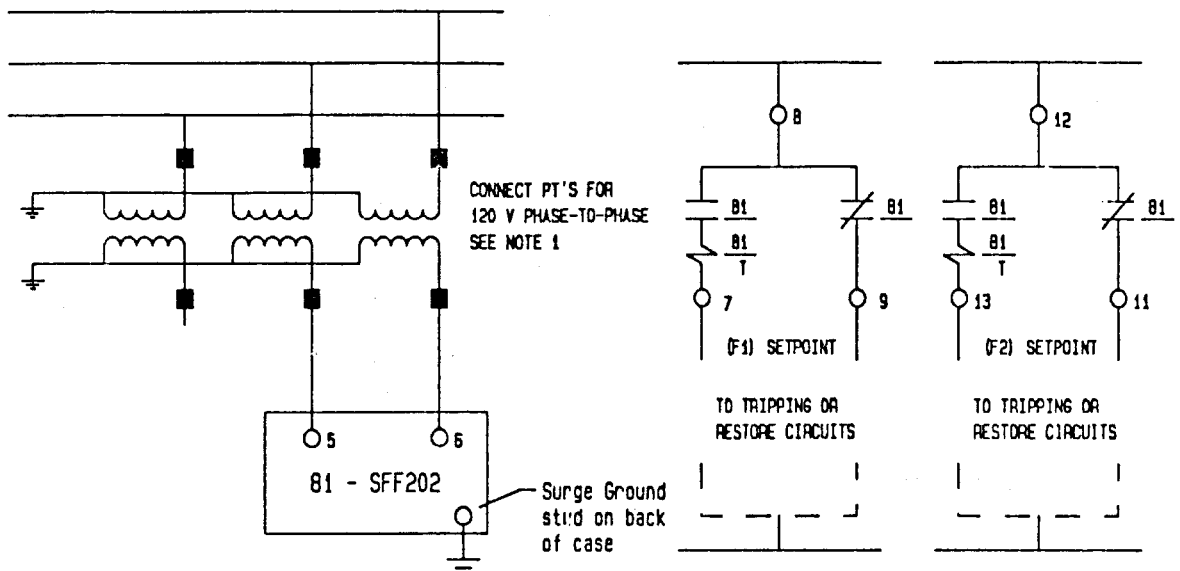
The SFF299A001A is similar to the SFF202B, except that the rated Control Voltage range is 30 to 47 VDC.

The Power Supply board on the SFF299A is board number 0184B6385G4, as opposed to 0184B6385G2 on the SFF202B.

See figure 1 for the external connection diagram (0285A5478).

*These instructions do not purport to cover all details or variations in equipment nor provide for every possible contingency to be met in connection with installation, operation or maintenance. Should further information be desired or should particular problems arise which are not covered sufficiently for the purchaser's purposes, the matter should be referred to the General Electric Company.*

*To the extent required the products described herein meet applicable ANSI, IEEE and NEMA standards; but no such assurance is given with respect to local codes and ordinances because they vary greatly.*



NOTE 1: RELAY MAY ALSO BE CONNECTED TO LINE-TO-NEUTRAL POTENTIAL SOURCE OF 120 VOLTS, OR A 120 VOLT OPEN-DELTA CONNECTION MAY BE USED

LEGEND	
81	SFF202 FREQUENCY RELAY
T	TARGET
CC	CONTACT CONVERTER
P.S.	POWER SUPPLY

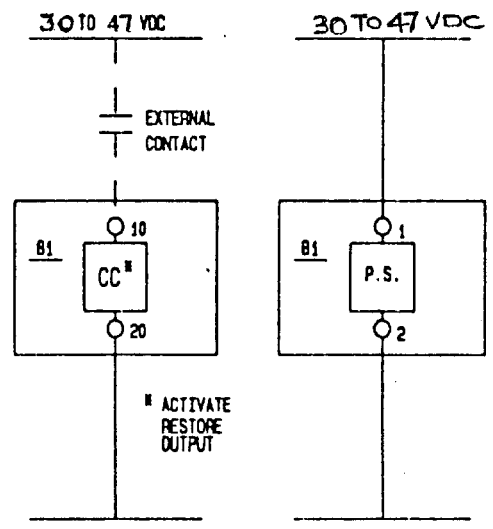
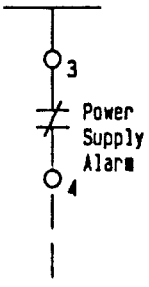


Figure 1 (0285A5478 [1]) External Connection Diagram for the SFF299A