



## INSTRUCTIONS

GEK-65541  
Insert Booklet GEK-49923

### STATIC FREQUENCY RELAY SFF31D

#### INTRODUCTION

This supplement, together with GEK-49923, constitutes the instructions for the SFF31D relay.

#### DESCRIPTION

The SFF31D relay is similar to the SFF31C except the stud connections are arranged differently. The stud connections are arranged so that the SFF31D is electrically and mechanically equivalent to the SFF23C.

The internal connections diagram for the SFF31D is shown in Fig. 1 of this supplement. For external connections, use Fig. 12 of GEK-49923 except when making connections to the output contacts. The proper terminals for connections to the output contacts are shown in the internal connection diagram, Fig. 1, of this supplement.

*These instructions do not purport to cover all details or variations in equipment nor to provide for every possible contingency to be met in connection with installation, operation or maintenance. Should further information be desired or should particular problems arise which are not covered sufficiently for the purchaser's purposes, the matter should be referred to the General Electric Company.*

*To the extent required the products described herein meet applicable ANSI, IEEE and NEMA standards; but no such assurance is given with respect to local codes and ordinances because they vary greatly.*

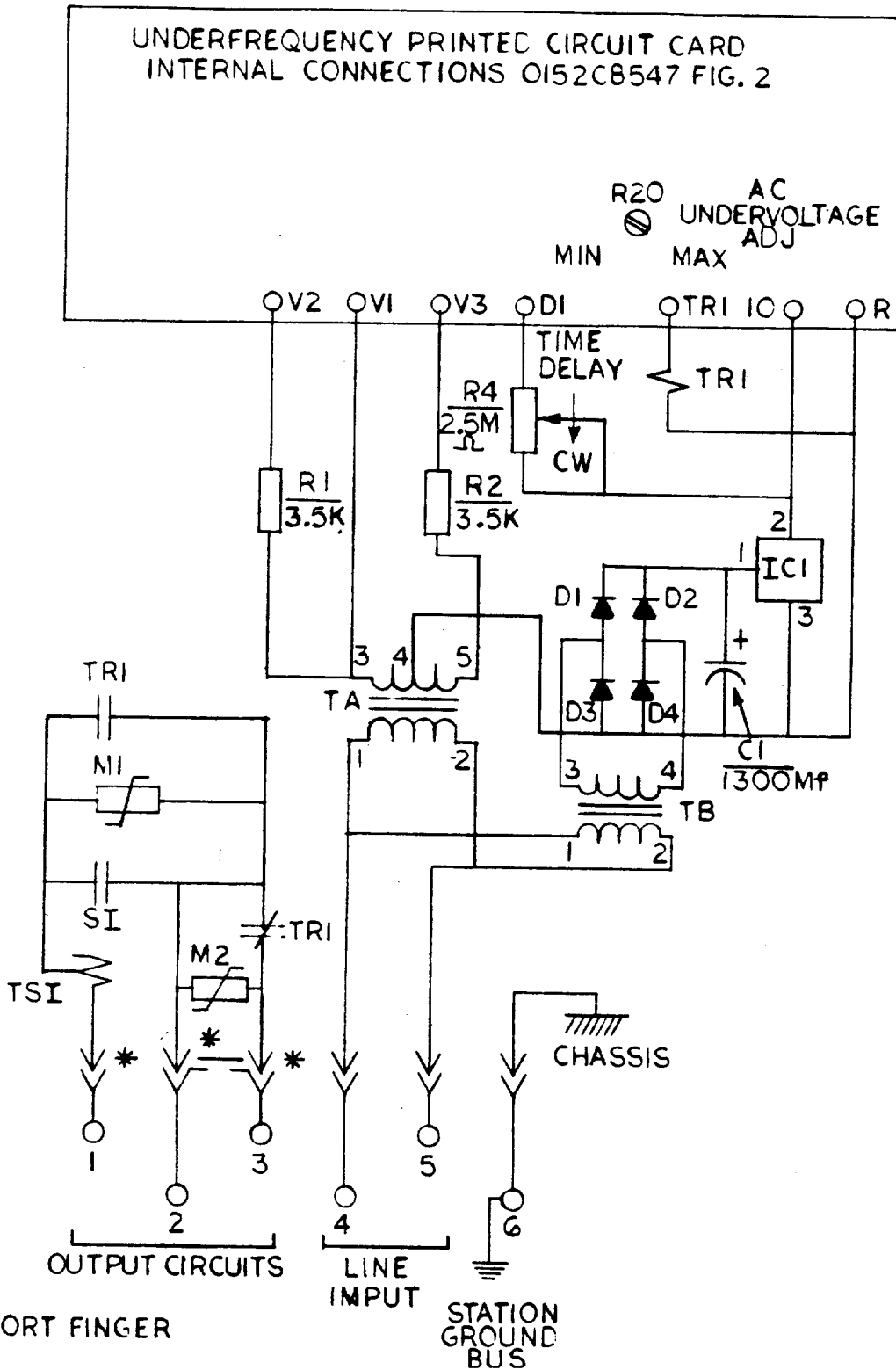


Figure 1 (0275A4307) Internal Connections, SFF31D Relay