



## INSTRUCTIONS

---

### STATIC SYNCHRONISM CHECK RELAY MODEL 12SLJ99AB(-)A TYPE SLJ

#### INTRODUCTION

This instruction booklet, with the attached GEK-65605, provides the instructions for the 12SLJ99AB(-)A relay.

#### DESCRIPTION

The 12SLJ99AB(-)A relay is exactly the same as the SLJ21A(-)A relay, except for the omission of the target in the stud 1-2 circuit.

The internal connection diagram is shown in Figure 1.

*These instructions do not purport to cover all details or variations in equipment nor provide for every possible contingency to be met in connection with installation, operation, or maintenance. Should further information be desired or should particular problems arise which are not covered sufficiently for the purchaser's purposes, the matter should be referred to the General Electric Company. To the extent required the products described herein meet applicable ANSI, IEEE, and NEMA standards; but no such assurance is given with respect to local codes and ordinances because they vary greatly.*

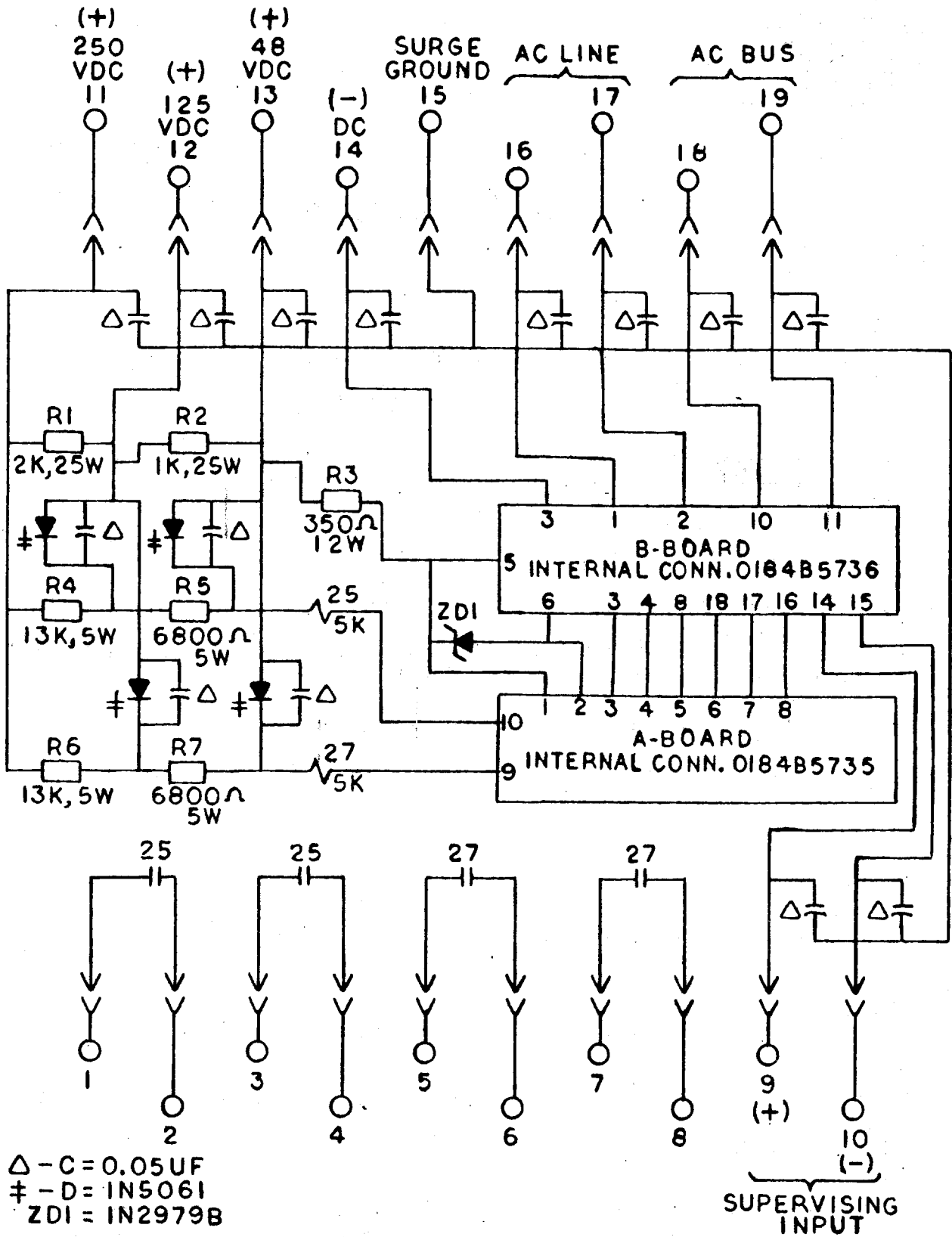


Figure 1 (0286A2003) Internal Connection Diagram for the 12SLJ99AB(-)A Relay