



# INSTRUCTIONS

GEK-45310A  
Insert Booklet GEK-45307

TRANSFORMER DIFFERENTIAL RELAY  
WITH PERCENTAGE AND HARMONIC  
RESTRAINT

TYPE STD18C

GENERAL  ELECTRIC



INTRODUCTION

These instructions are a supplement to Instruction Book GEK-45307 which is included in this book. The combination of the two form instructions for the type STD18C relay.

DESCRIPTION

The type STD18C relay is similar to the STD16C except the former has five through current restraint windings and is mounted in the L2 (large, double ended) case.

Figure 1 shows the internal connections diagram for the STD18C relay.

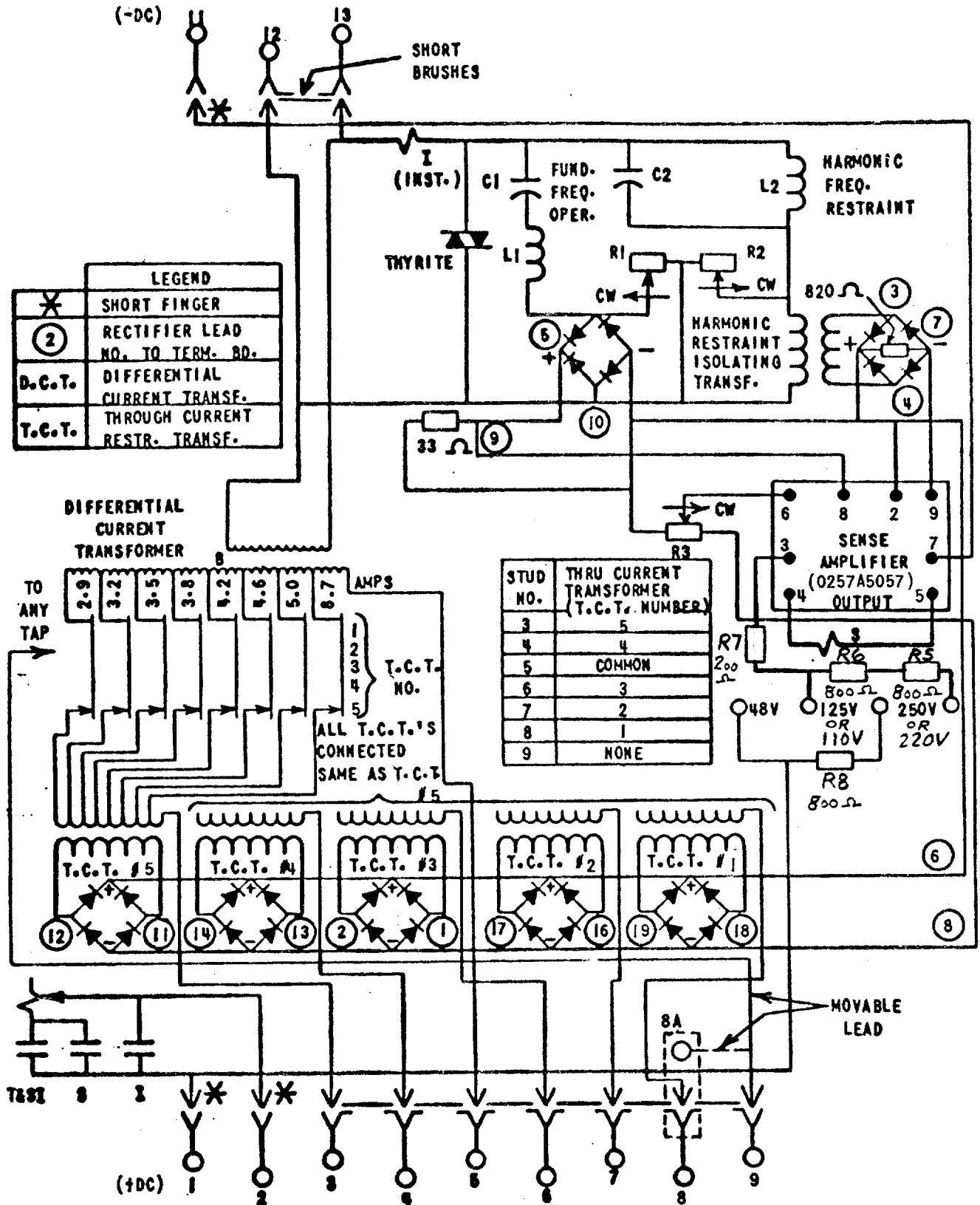
Figure 2 shows the typical external connections diagram for the STD18C relay.

Figure 3 shows the test circuit for the STD18C relay.

Figure 4 shows the outline and panel drilling for the STD18C relay.

*These instructions do not purport to cover all details or variations in equipment nor to provide for every possible contingency to be met in connection with installation, operation or maintenance. Should further information be desired or should particular problems arise which are not covered sufficiently for the purchaser's purposes, the matter should be referred to the General Electric Company.*

*To the extent required the products described herein meet applicable ANSI, IEEE and NEMA standards; but no such assurance is given with respect to local codes and ordinances because they vary greatly.*



\* FIG. 1 (0257A5029 [2]) Internal Connections Diagram For The STD18C Relay (Front View)

\* Revised since last issue\*

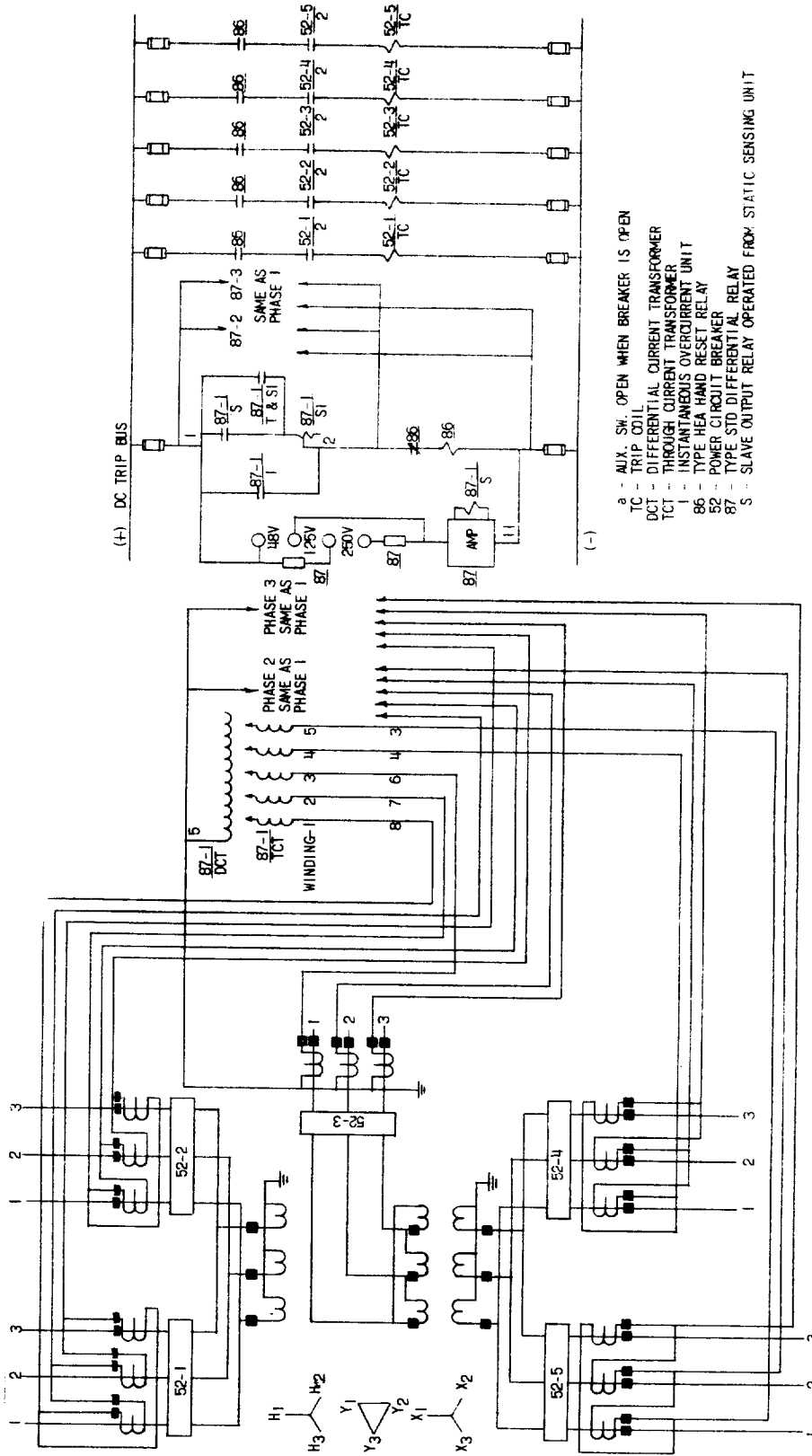
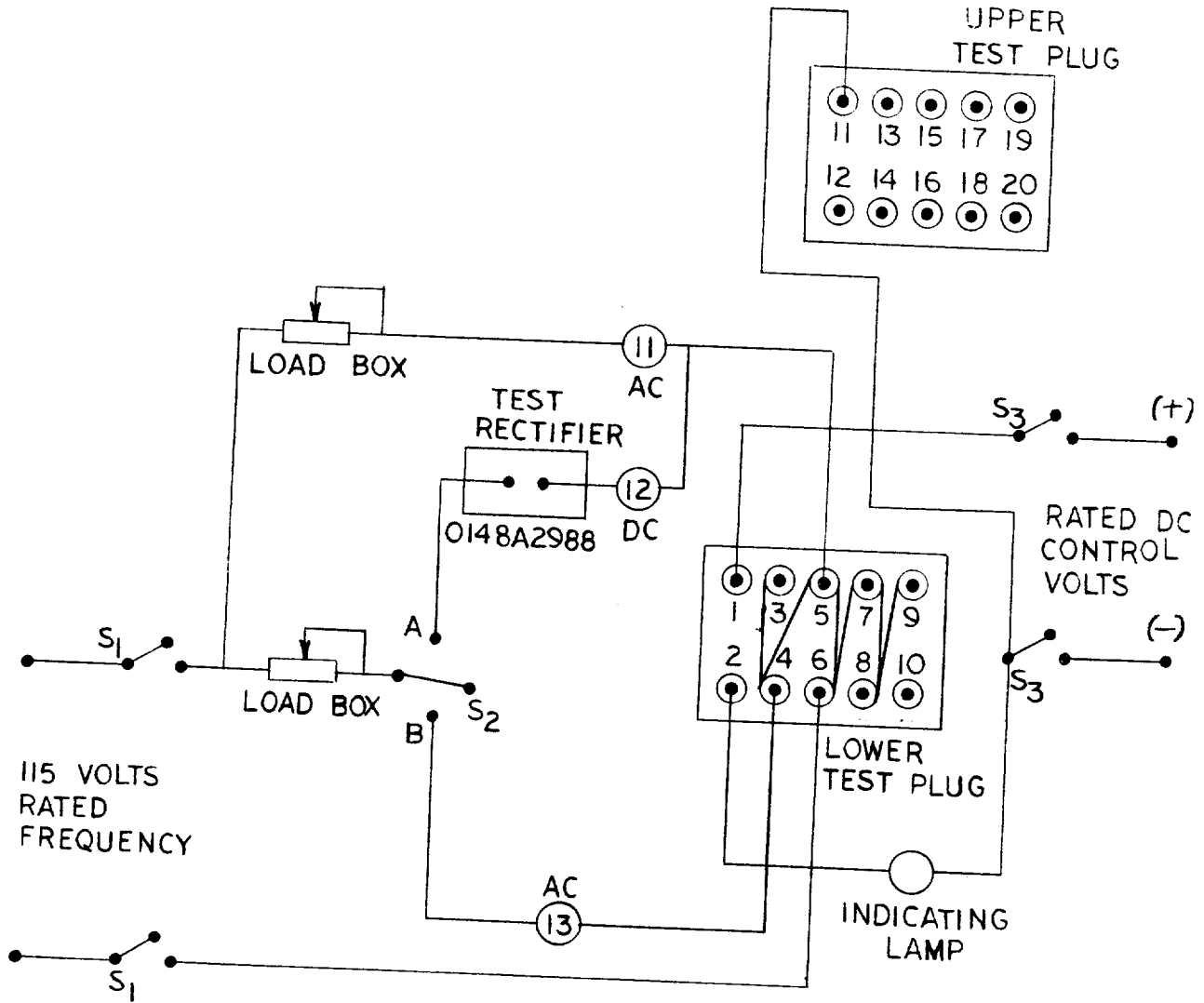
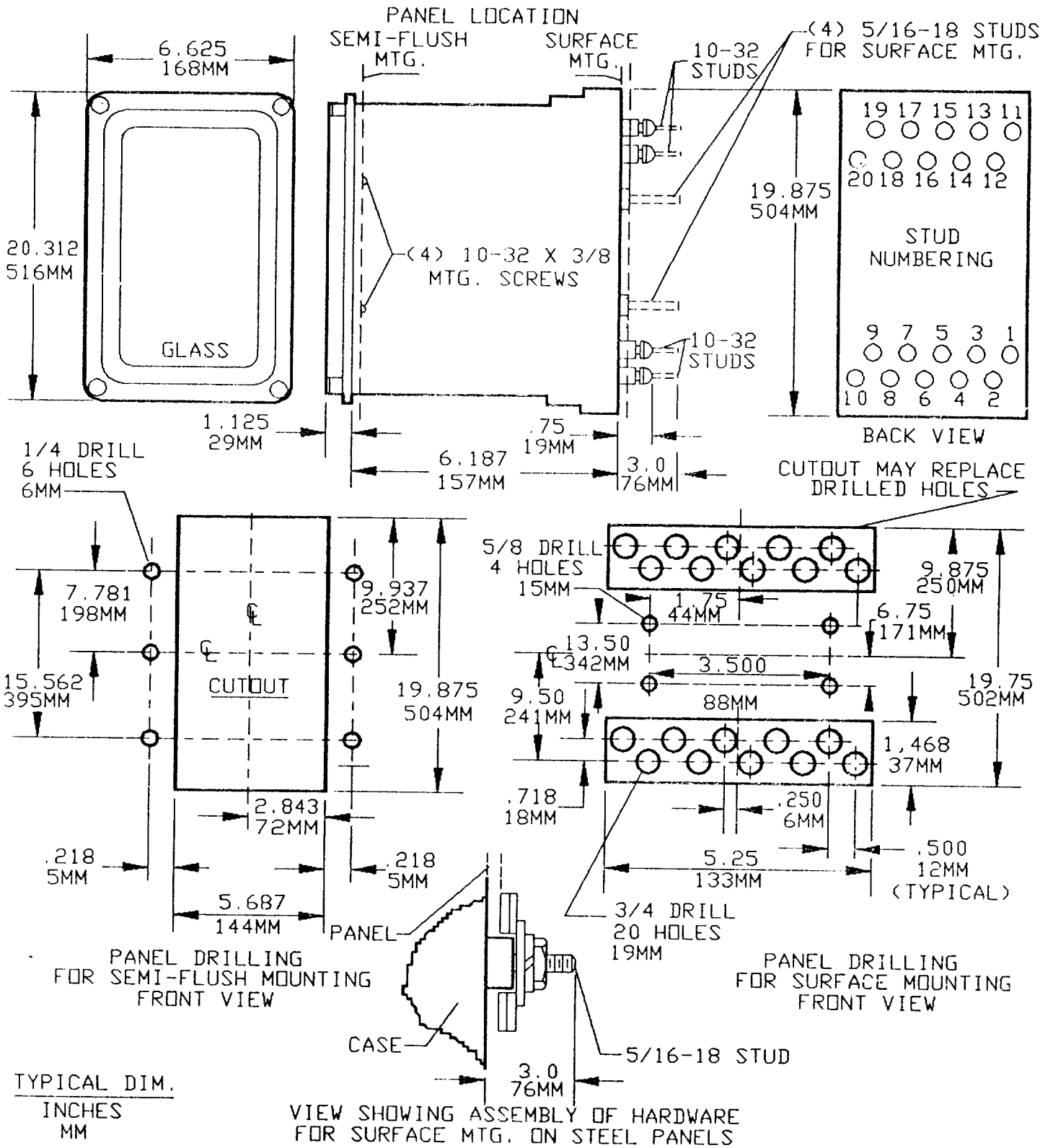


FIG. 2 (0165B2442-0) External Connections Diagram For The STD18C Relay



TEST CIRCUIT FOR STD17B OR STD18B RELAYS

FIG. 3 (0208A5528-2 SH. 2) Test Connections Diagram For The STD18C Relay



\* FIG. 4 (K-6209276 [4]) Outline And Panel Drilling Dimensions For The STD18C Relay

\* Revised since last issue\*



---

***GE Power Management***

**215 Anderson Avenue  
Markham, Ontario  
Canada L6E 1B3  
Tel: (905) 294-6222  
Fax: (905) 201-2098  
[www.ge.com/indsys/pm](http://www.ge.com/indsys/pm)**