



INSTRUCTIONS

GEK-86102
Insert Booklet GEK-45315

TRANSFORMER DIFFERENTIAL RELAY TYPE STD

MODEL 12STD99AD(-)D

INTRODUCTION

This instruction book, together with insert booklet GEK-45315, forms the instructions for the Type STD99AD(-)D relays.

DESCRIPTION

The 12STD99AD(-)D relay is similar to the 12STD28C(-)A relay, except that the second harmonic is set at 12 percent. The internal connections are shown in Figure 1 of this instruction book.

Second harmonic pickup, with four amps DC applied. $I = 10$ to 12.7 amperes.

These instructions do not purport to cover all details or variations in equipment nor to provide for every possible contingency to be met in connection with installation, operation or maintenance. Should further information be desired or should particular problems arise which are not covered sufficiently for the purchaser's purposes, the matter should be referred to the General Electric Company.

To the extent required the products described herein meet applicable ANSI, IEEE and NEMA standards; but no such assurance is given with respect to local codes and ordinances because they vary greatly.

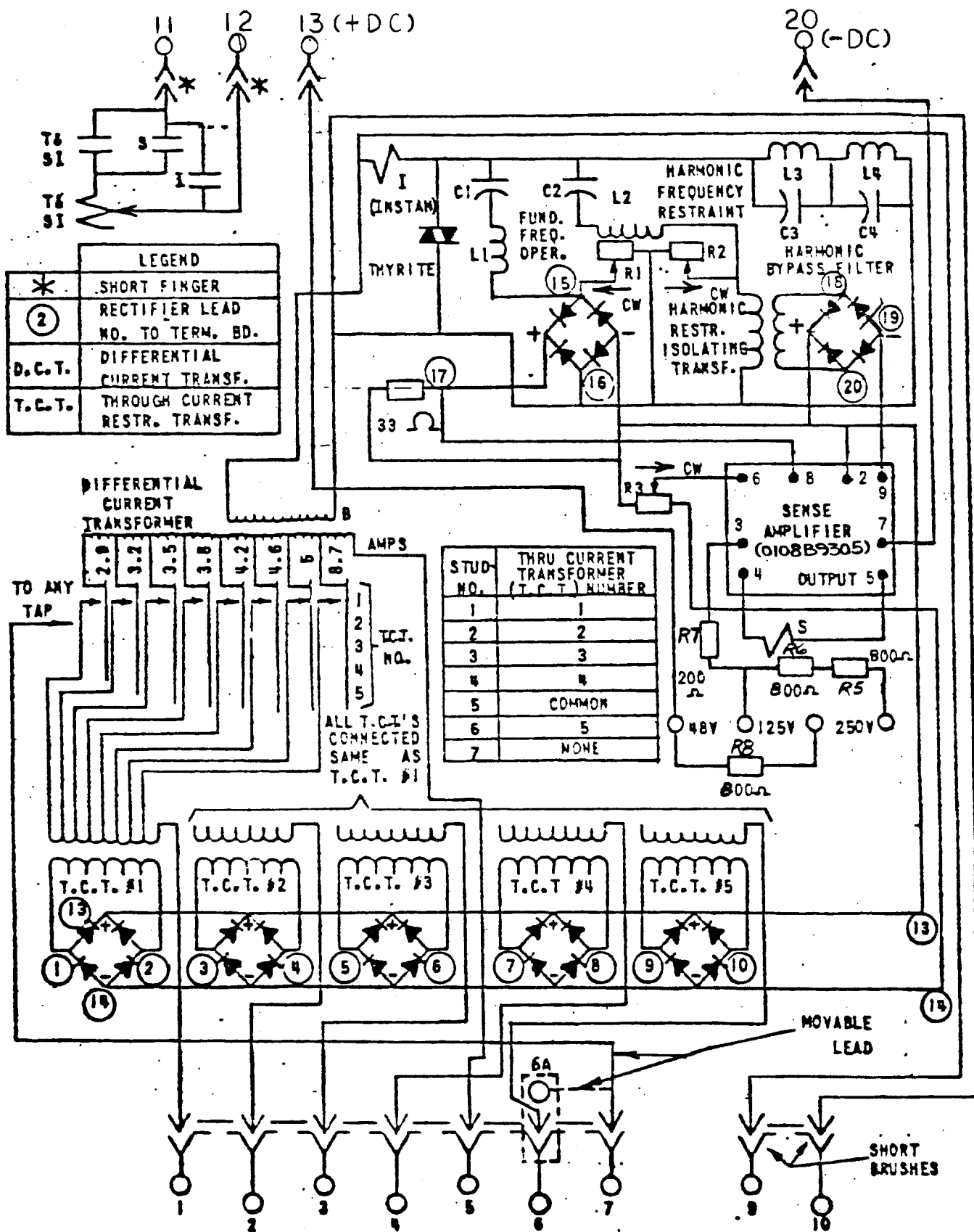


Figure 1 (0285A8162-0) Internal Connections Diagram for Type STD99AD(-)D Relay