



## INSTRUCTIONS

**GEK-100564A**

Supplement GEK-90653

**TYS3B56B13C2XB017**  
**TYS3B56B13C2XB018**  
**TYS3B56B12C2XB024**

### Blocking Scheme

### Phase Distance and Ground Directional Overcurrent

#### Introduction

These instructions, GEK-100564 together with GEK-90653, constitute the complete instructions for the **TYS3B56B13C2XB017**, **TYS3B56B13C2XB018**, and **TYS3B56B12C2XB024**.

#### Description

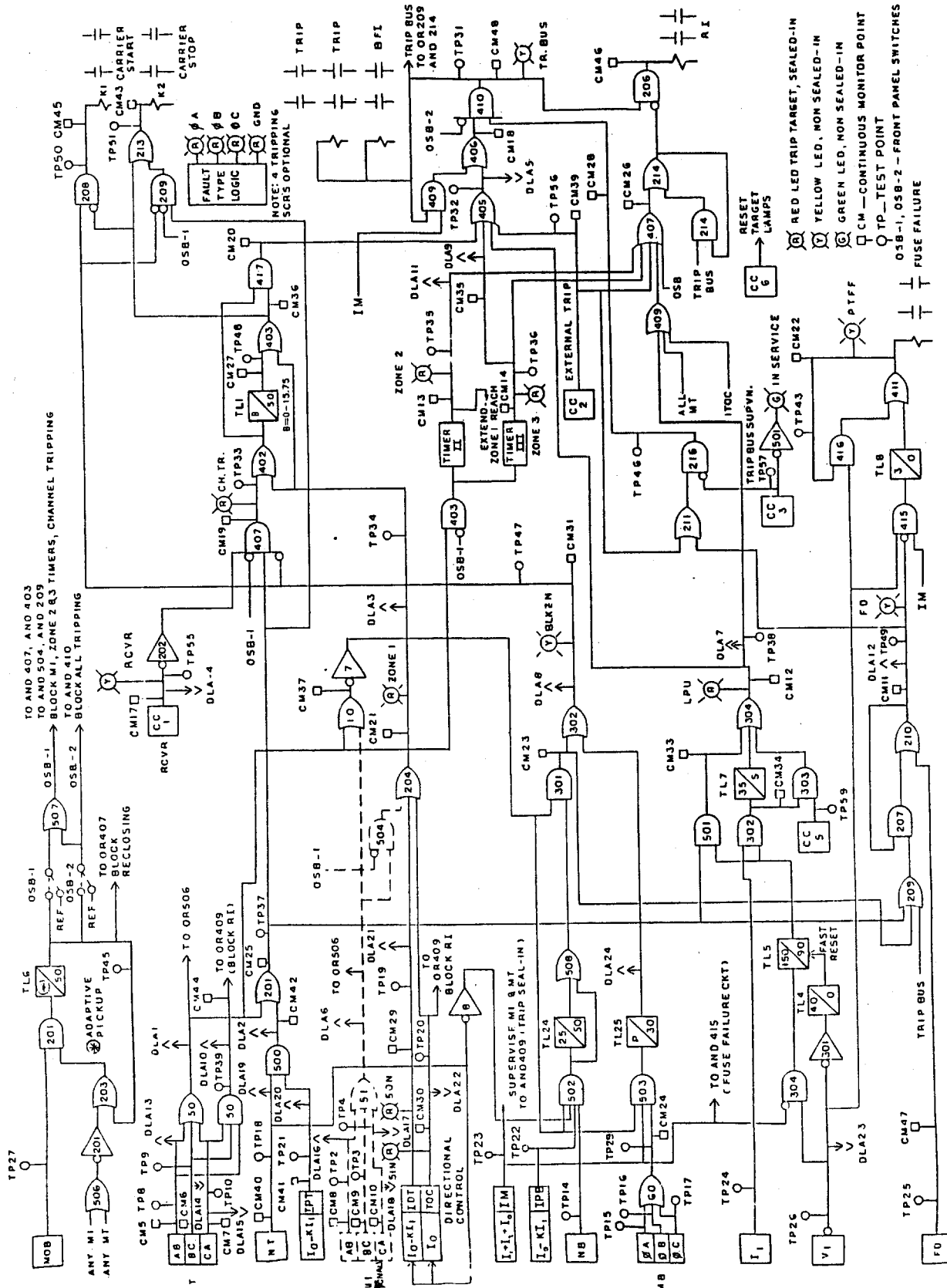
This relay has the following differences from the standard TYS relay described in GEK-90653:

1. DLA-11 = Zone 2. (DLA-11 in the standard TYS is Out-of-Step Block.)
2. Logic Diagram = 0171C8776
3. Elementary = 0145D8122
4. Service Logic = 0145D8123
5. The Receiver input to the Continuous Monitor (CM17) can be removed by cutting Jumper J1 on the Continuous Monitor Module

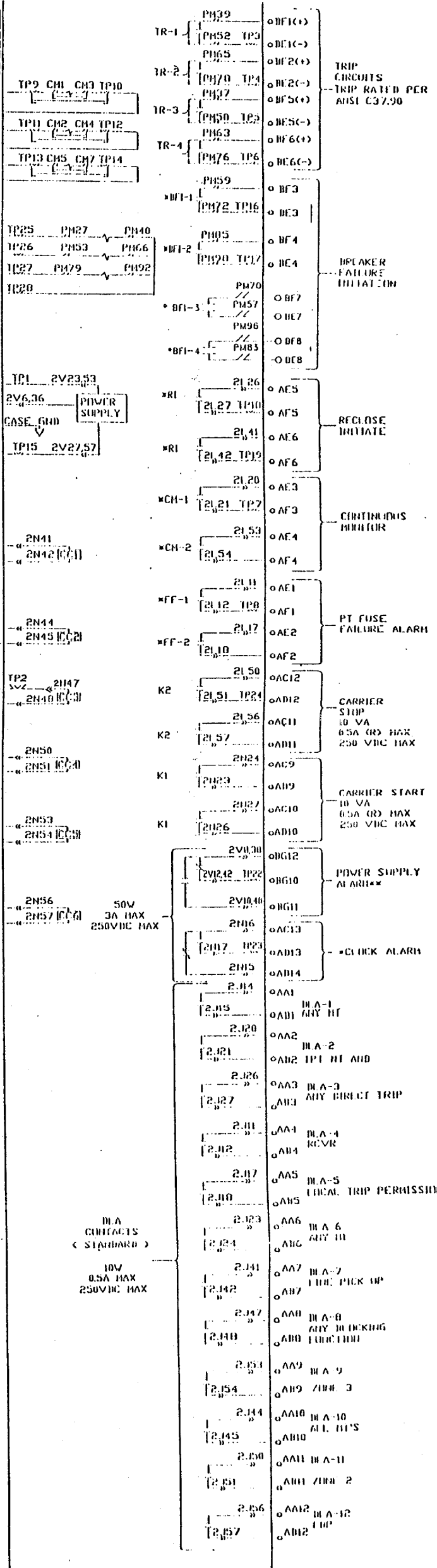
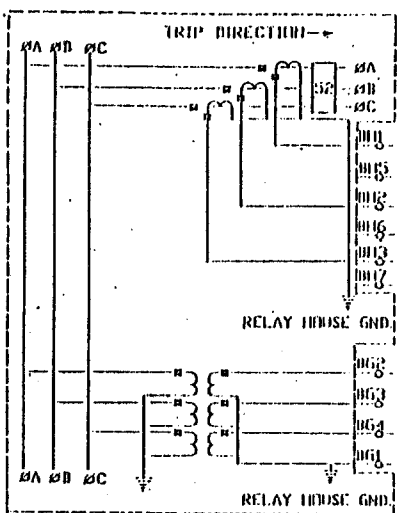
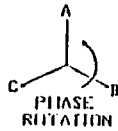
All other descriptions, calculations, testings and drawings shown in GEK-90653 apply equally to the **TYS3B56B13C2XB017**, **TYS3B56B13C2XB018**, and **TYS3B56B12C2XB024**.

*These instructions do not purport to cover all details or variations in equipment nor provide for every possible contingency to be met in connection with installation, operation or maintenance. Should further information be desired or should particular problems arise which are not covered sufficiently for the purchaser's purposes, the matter should be referred to the General Electric Company.*

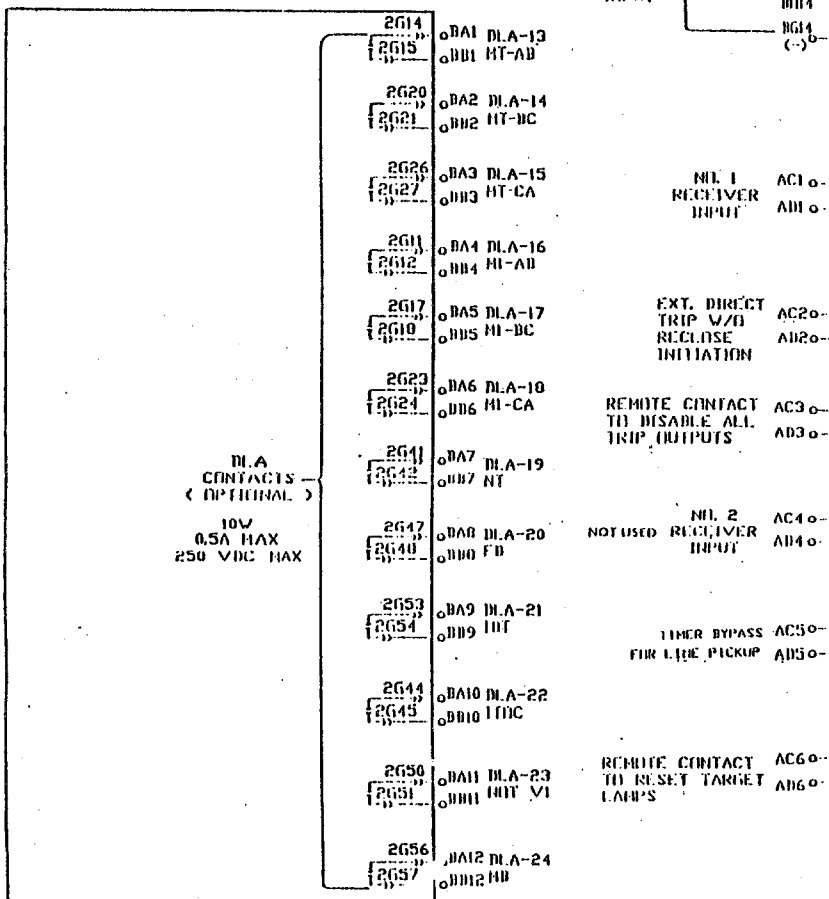
*To the extent required the products described herein meet applicable ANSI, IEEE and NEMA standards; but no such assurance is given with respect to local codes and ordinances because they vary greatly.*



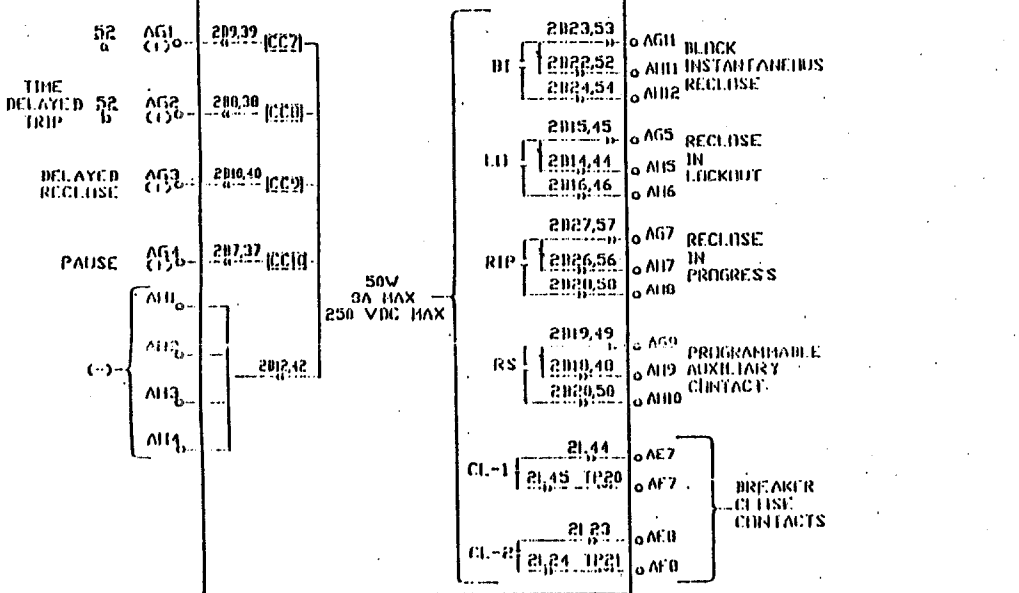
Since the first edition, model 24 has been added, and Figures 1, 2, and 3 revised.



TYS OPTIONS



OPTIONAL RECLOSER



- NOTES:
1. SEE GE DWG 0206A2774 FOR MECHANICAL DEFINITION LEGEND
  2. SEE GE DWG 0206A2773 FOR SYMBOL DEFINITION LEGEND
  3. \* AUXILIARY INPUTS 3A, 50V, 250VDC MAX.
  4. \*\* CONTACTS ARE SHOWN DE-ENERGIZED UNDER NORMAL CONDITIONS CONTACTS ARE ENERGIZED.
  5. --- USER CONNECTION

ADDITIONAL OPTIONS AVAILABLE

Figure 2 (0145D5122 (1)) Elementary

Figure 3 (0145D8123(1)) Service Logic

