



MULTILIN

GEK-99339B
Supplement GEK-90658

INSTRUCTIONS

TYS3B56P12D1XBO13
TYS3B56PO2D1XBO14

Permissive Scheme

Phase Distance and Ground Distance Functions

Introduction

These instructions, GEK-99339 together with GEK-90658, constitute the complete instructions for the TYS3B56P12D1XBO13 and TYS3B56PO2D1XBO14.

Description

This relay has the following differences from the standard TYS relay described in GEK-90658:

1. Revised DLA output contacts
2. Reclose Block output contacts
3. Selectable RI output
4. Logic Diagram: 0179C7541
5. Elementary Diagram: 0153D7877
6. Service Logic Diagram: 0153D7879

All other descriptions, calculations, testings and drawings shown in GEK-90658 apply equally to the TYS3B56P12D1XBO13 and TYS3B56PO2D1XBO14.

These instructions do not purport to cover all details or variations in equipment nor provide for every possible contingency to be met in connection with installation, operation or maintenance. Should further information be desired or should particular problems arise which are not covered sufficiently for the purchaser's purposes, the matter should be referred to the General Electric Company.

To the extent required the products described herein meet applicable ANSI, IEEE and NEMA standards; but no such assurance is given with respect to local codes and ordinances because they vary greatly.

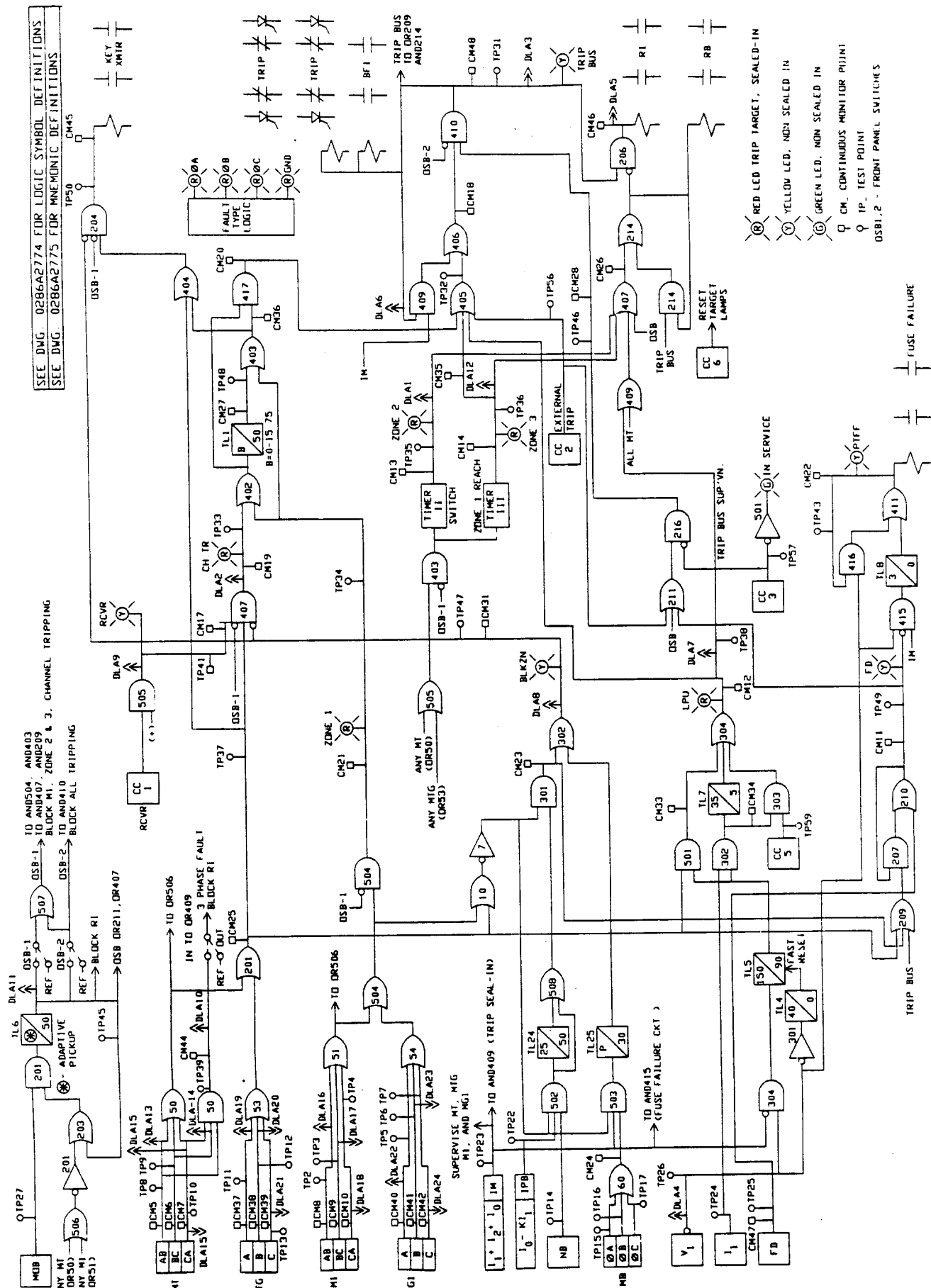


Figure 1 (0179C7541 [2]) Logic Diagram

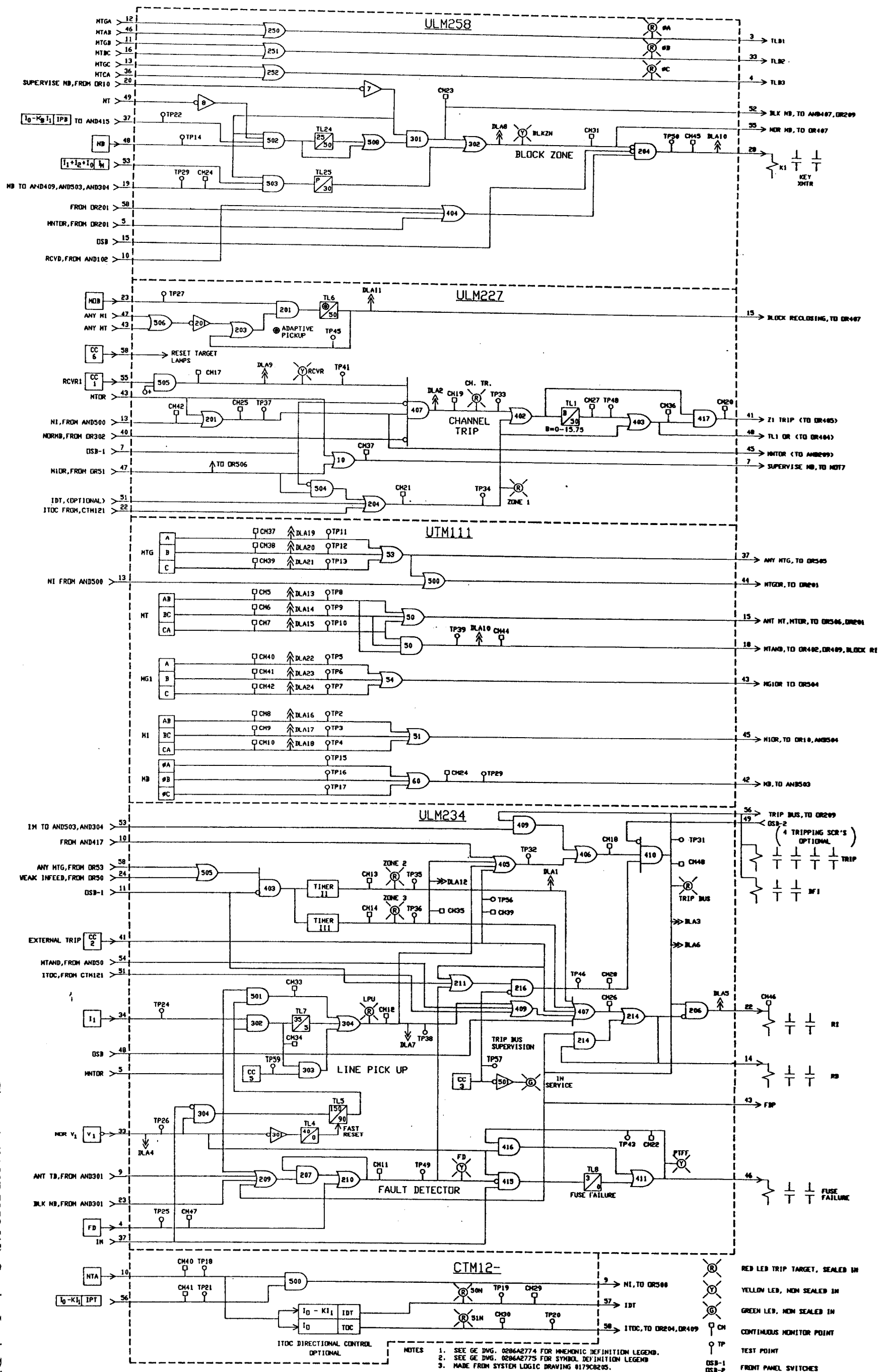


Figure 3 (0153D7879 [1]) Service Logic Diagram

(12/5/97) (30)

GE POWER MANAGEMENT

**The Technology Center
205 Great Valley Parkway
Malvern, PA 19355-1337
Telephone (610) 251-7000**