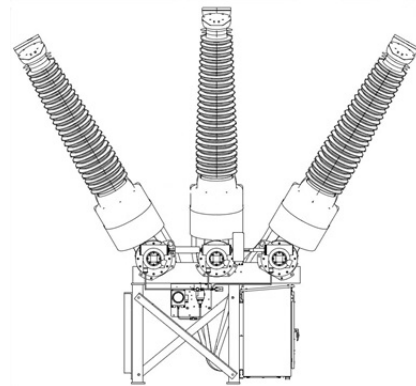


## Grid Solutions Online Store

### QUOTATION SUMMARY

**QUOTE#:** 99217574 (Please refer to the quote no. when placing the order)  
**Customer:** CITY OF ANAHEIM **Phone No:** 9878987898  
**Customer Contact:** Balanarsingrao Mandala **Email:** bala@ge.com

#### DT1-121kV-FK Mechanism



#### This section covers the following breakers:

DT1-121 F1 w FK3-1 mech <br /> DT1-145 F1 w FK3-1 mech <br/> DT1-170 F1 w FK3-1 mech

#### Safety or Emergency stocks:

##### For use on the tanks

Interrupter  
Bushing Insulator (Porcelain or Composite)  
Bushing Center Conductor  
Complete Seal Kit (including desiccant)  
Densimeter  
Tank Heater  
Pressure Relief Device (Burstdisk or Break Pin)

##### For use in the cabinet/mechanism

Low Voltage Part Kit, which includes:  
- Trip and Closing Coils  
- Spring Charge Motor  
- Auxiliary Contact Blocks  
- Motor Limit Switch  
- One of each type of relay  
- Complete set of fuses  
Anti-Condensation Heaters

#### M4 Material

Complete Seal Kit (includes desiccant)  
Mechanism Inspection Kit (if available)  
Grease and Lubricants  
Burst Disk Assembly  
Standby parts kit for use as needed (if available)



**This M4 Maintenance main results are :**

<p><u>For the tanks :</u></p> <ul style="list-style-type: none"> <li>- All seals will be replaced and this includes :</li> <li>• The Bushing Upper and lower seals</li> <li>• The tank End seals</li> <li>• The Dynamic seal (for the pole shaft)</li> <li>• The gas piping seals (inculding the densimeter)</li> <li>• Dielectric cleaning of the tank</li> <li>• Dielectric cleaning of the tank)</li> <li>• The replacement of the desiccant</li> </ul>	<p><u>For the Mechanism</u></p> <ul style="list-style-type: none"> <li>- The mechanism will receive a careful examination which includes:</li> <li>• Check trip dashpot oil level and top-up as required</li> <li>• clean-up and regreasing of all mobile parts</li> <li>• Verification of all latch surface and replacement as needed</li> <li>• Verification of all needle and roller bearings and replacement as needed</li> <li>• Verification of all springs and replacement as needed</li> <li>• Verification of all heaters and replacement as needed</li> <li>• Verification of all auxiliary contacts and replacement as needed</li> </ul>
--	---

**Maintenance Parts Price list**

Parts needed to complete the M4 maintenance

Item#	Qty	Description	Unit Price	Total Price	Estimated Lead Time
1	2	Complete Seal Kit (includes desiccant) KITSEALDT12F1F001	\$488.32	\$976.64	4 Weeks
<b>Total Net Price (\$US):</b>				<b>\$488.32</b>	



### Strategic Spares list

Item#	Qty	Description	Unit Price	Total Price	Estimated Lead Time
1	2	Interrupter DT121FKInterrupter	\$10,194.17	\$20,388.34	Contact Factory*
<b>Total Net Price (\$US):</b>				<b>\$10,194.17</b>	

### For more information, please contact:

**Grid Solutions - Service**

**Tel: 1-866-837-7170**

**Call Elena Mitreva: + 1 450 659 1399 Ext.611**

**Email: [partscenter@ge.com](mailto:partscenter@ge.com)**