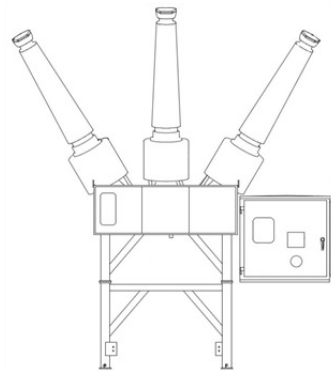


Grid Solutions Online Store

QUOTATION SUMMARY

QUOTE#: 99291884 (Please refer to the quote no. when placing the order)
Customer: ALLIANT ENERGY **Phone No:** 9878987898
Customer Contact: Balanarsingrao Mandala **Email:** bala@ge.com

DT1-121kv-CRR Mechanism



This section covers the following breakers:

DT1-121 F1 w/CRR
 DT1-145 F1 w/CRR
 DT1-170 F1 w/CRR

Safety or Emergency stocks:

For use on the tanks

Interrupter
Bushing Insulator (Porcelain or Composite)
Bushing Center Conductor
Complete Seal Kit (including desiccant)
Densimeter
Tank Heater
Pressure Relief Device (Burstdisk or Break Pin)

For use in the cabinet/mechanism

Low Voltage Part Kit, which includes:
- Trip and Closing Coils
- Spring Charge Motor
- Auxiliary Contact Blocks
- Motor Limit Switch
- One of each type of relay
- Complete set of fuses
Anti-Condensation Heaters

M4 Material

Complete Seal Kit (includes desiccant)
Mechanism Inspection Kit (if available)
Grease and Lubricants
Burst Disk Assembly
Standby parts kit for use as needed (if available)



This M4 Maintenance main results are :

<p><u>For the tanks :</u></p> <ul style="list-style-type: none"> - All seals will be replaced and this includes : • The Bushing Upper and lower seals • The tank End seals • The Dynamic seal (for the pole shaft) • The gas piping seals (inculding the densimeter) • Dielectric cleaning of the tank • Dielectric cleaning of the tank) • The replacement of the desiccant 	<p><u>For the Mechanism</u></p> <ul style="list-style-type: none"> - The mechanism will receive a careful examination which includes: • Check trip dashpot oil level and top-up as required • clean-up and regreasing of all mobile parts • Verification of all latch surface and replacement as needed • Verification of all needle and roller bearings and replacement as needed • Verification of all springs and replacement as needed • Verification of all heaters and replacement as needed • Verification of all auxiliary contacts and replacement as needed
--	---

Maintenance Parts Price list

Parts needed to complete the M4 maintenance

Item#	Qty	Description	Unit Price	Total Price	Estimated Lead Time
1	1	Mechanism Inspection Kit DT121CRRMechInspKit	\$394.50	\$394.50	8 Weeks
Total Net Price (\$US):				\$394.50	



Strategic Spares list

Item#	Qty	Description	Unit Price	Total Price	Estimated Lead Time
1	1	Complete Seal Kit (including desiccant) KITSEALDT12F1C001	\$1,063.94	\$1,063.94	4 Weeks
Total Net Price (\$US):				\$1,063.94	

For more information, please contact:

Grid Solutions - Service

Tel: 1-866-837-7170

Call Elena Mitreva: + 1 450 659 1399 Ext.611

Email: partscenter@ge.com