



1/31/2017 09:25 AM

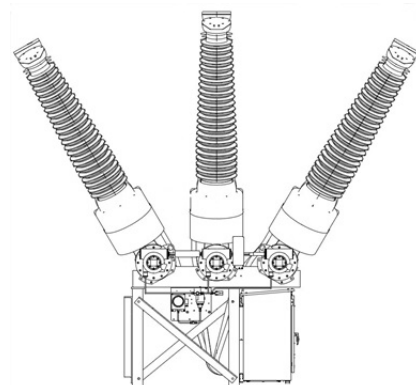
## Grid Solutions Online Store

### QUOTATION SUMMARY

**QUOTE# 99222028 (Please reference the QUOTE# when placing an order)**

<b>Customer</b>	HYDRO QUEBEC	<b>Phone No</b>	8767868
<b>Customer Contact</b>	test	<b>Email</b>	test@test.com

#### AIS Dead Tank DT1-121kV-FK Mechanism



#### This section covers the following breakers

DT1-121 F1 with FK3-1 mech  
DT1-145 F1 with FK3-1 mech  
DT1-170 F1 with FK3-1 mech

#### Safety or Emergency stocks

##### For use on the tanks

- Interrupter
- Bushing Insulator (Porcelain or Composite)
- Bushing Center Conductor
- Complete Seal Kit (including desiccant)
- Densimeter
- Tank Heater
- Pressure Relief Device (Burstdisk or Break Pin)

##### For use in the cabinet/mechanism

- Low Voltage Part Kit, which includes:
  - Trip and Closing Coils
  - Spring Charge Motor
  - Auxiliary Contact Blocks
  - Motor Limit Switch
  - One of each type of relay
  - Complete set of fuses
- Anti-Condensation Heaters

#### M4 Maintenance Parts

- Complete Seal Kit (includes desiccant)
- Mechanism Inspection Kit (if available)
- Grease and Lubricants
- Burst Disk Assembly
- "Standby" parts kit for use as needed (if available)

**Circuit Breaker Condition Assessment Result - M4 Maintenance**

For the Tanks	For the Mechanism
All Seals will be replaced and this includes : <ul style="list-style-type: none"> <li>• The Bushing Upper and lower seals</li> <li>• The Tank End seals</li> <li>• The Dynamic seal for the pole shaft</li> <li>• The Gas piping seals including the densimeter</li> <li>• Dielectric cleaning of the Tank</li> <li>• The Replacement of the desiccant</li> </ul>	The mechanism will receive a careful examination which includes: <ul style="list-style-type: none"> <li>• Check trip dashpot oil level and top-up as required</li> <li>• Clean-up and regreasing of all mobile parts</li> <li>• Verification of all latch surface and replacement as needed</li> <li>• Verification of all needle and roller bearings; replacement as needed</li> <li>• Verification of all springs and replacement as needed</li> <li>• Verification of all heaters and replacement as needed</li> <li>• Verification of all auxiliary contacts and replacement as needed</li> </ul>

**Strategic Spares List**

Item#	Qty	Description	Unit Price	Total Price	Est. Lead Time(Bus.Weeks)
1	1	<b>Interrupter</b> DT121FKInterrupter	£6,923.06	£6,923.06	NA
2	1	<b>Bushing Insulator (Porcelain or Composite)</b> DT121FKInsulator	£2,155.64	£2,155.64	14 Weeks
3	1	<b>Bushing Center Conductor</b> DT121FKCenterCond	£2,375.18	£2,375.18	8 Weeks
4	1	<b>Complete Seal Kit (including desiccant)</b> KITSEALDT12F1F001	£331.63	£331.63	4 Weeks
5	1	<b>Densimeter</b> DT121FKDensimeter	£196.94	£196.94	8 Weeks
6	3	<b>Pressure Relief Device (Burstdisk or Break Pin)</b> DT121FKPRD	£134.16	£402.48	4 Weeks
7	1	<b>Grease and Lubricants</b> KITGREASE	£1,358.24	£1,358.24	8 Weeks
<b>Total Net Price (£GBP):</b>				<b>£13,743.18</b>	

**\*For more information, please contact:**

Grid Solutions - Service

Toll Free: 1-866-837-7170

Other: 1-450-659-1399 Ext 611

Email: [partscenter@ge.com](mailto:partscenter@ge.com)