



1/31/2017 10:58 AM

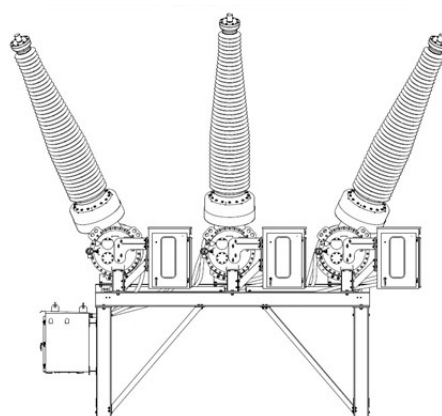
Grid Solutions Online Store

QUOTATION SUMMARY

QUOTE# 99222047 (Please reference the QUOTE# when placing an order)

Customer	John Doe	Phone No	5143783134
Customer Contact	John Doe	Email	christophe_sabatier@yahoo.fr

AIS Dead Tank DT1-362



This section covers the following breakers

DT1-362 F3 with 3 x FK3-6 mech

Safety or Emergency stocks

For use on the tanks

- Interrupter
- Bushing Insulator (Porcelain or Composite)
- Bushing Center Conductor
- Complete Seal Kit (including desiccant)
- Densimeter
- Tank Heater
- Pressure Relief Device (Burstdisk or Break Pin)

For use in the cabinet/mechanism

- Low Voltage Part Kit, which includes:
 - Trip and Closing Coils
 - Spring Charge Motor
 - Auxiliary Contact Blocks
 - Motor Limit Switch
 - One of each type of relay
 - Complete set of fuses
- Anti-Condensation Heaters

M4 Maintenance Parts

- Complete Seal Kit (includes desiccant)
- Mechanism Inspection Kit (if available)
- Grease and Lubricants
- Burst Disk Assembly
- "Standby" parts kit for use as needed (if available)

**Circuit Breaker Condition Assessment Result - M4 Maintenance**

For the Tanks	For the Mechanism
All Seals will be replaced and this includes : <ul style="list-style-type: none"> • The Bushing Upper and lower seals • The Tank End seals • The Dynamic seal for the pole shaft • The Gas piping seals including the densimeter • Dielectric cleaning of the Tank • The Replacement of the desiccant 	The mechanism will receive a careful examination which includes: <ul style="list-style-type: none"> • Check trip dashpot oil level and top-up as required • Clean-up and greasing of all mobile parts • Verification of all latch surface and replacement as needed • Verification of all needle and roller bearings; replacement as needed • Verification of all springs and replacement as needed • Verification of all heaters and replacement as needed • Verification of all auxiliary contacts and replacement as needed

Maintenance Parts Price List

Parts needed to complete the M4 maintenance

Item#	Qty	Description	Unit Price	Total Price	Est. Lead Time (Bus. Weeks)
1	1	Complete Seal Kit (includes desiccant) KITSEALDT15F3F001	\$1,372.44	\$1,372.44	4 Weeks
2	3	Burst Disk Assembly BurstDiskDT362	\$238.68	\$716.04	4 Weeks
3	3	Mechanism Inspection Kit DT362MechInspKit	\$751.24	\$2,253.72	8 Weeks
4	1	Grease and Lubricants KITGREASE	\$2,000.00	\$2,000.00	4 Weeks
5	1	"Standby" parts kit for use as needed STDBYKITFKDT362	\$1,448.72	\$1,448.72	4 Weeks
Total Net Price (\$US)				\$7,790.92	



Strategic Spares List

Item#	Qty	Description	Unit Price	Total Price	Est. Lead Time(Bus.Weeks)
1	1	Interrupter DT362Interrupter	\$36,220.00	\$36,220.00	24 Weeks
2	1	Bushing Insulator (Porcelain or Composite) DT362Insulator	\$6,150.00	\$6,150.00	14 Weeks
3	1	Bushing Center Conductor DT362CenterCond	\$1,965.60	\$1,965.60	8 Weeks
4	1	Complete Seal Kit (including desiccant) KITSEALDT15F3F001	\$1,372.44	\$1,372.44	4 Weeks
5	1	Densimeter DT362Densimeter	\$288.00	\$288.00	8 Weeks
6	3	Pressure Relief Device (Burstdisk or Break Pin) DT362PRD	\$238.68	\$716.04	4 Weeks
7	1	FK3-6 complete mechanism w/o LV panel DT362MechNew	\$13,602.33	\$13,602.33	14 Weeks
8	1	Mechanism Dashpot DT362Dashpot	\$2,365.02	\$2,365.02	4 Weeks
9	1	Low Voltage Electrical components kit KITLVDT15F3F001	\$8,467.51	\$8,467.51	4 Weeks
10	1	Anti-Condensation Heater Kit KITHTRDT15F3F001	\$1,168.80	\$1,168.80	4 Weeks
11	1	Grease and Lubricants KITGREASE	\$2,000.00	\$2,000.00	4 Weeks
Total Net Price (\$US):				\$74,315.75	

Grand Total \$82,106.67

***For more information, please contact:**

Grid Solutions - Service

Toll Free: 1-866-837-7170

Other: 1-450-659-1399 Ext 611

Email: partscenter@ge.com