



2/21/2017 11:27 AM

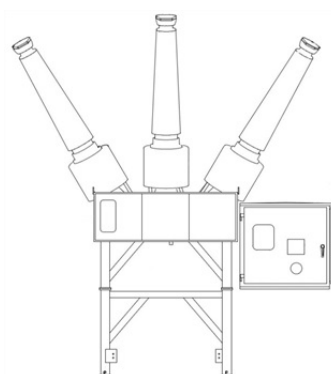
## Grid Solutions Online Store

### QUOTATION SUMMARY

**QUOTE# 99223358 (Please reference the QUOTE# when placing an order)**

<b>Customer</b>	GE Grid	<b>Phone No</b>	33 6 33 16 19 53
<b>Customer Contact</b>	GUYOT	<b>Email</b>	jean-luc.guyot@ge.com

#### AIS Dead Tank DT1-121kv-CRR Mechanism



#### **This section covers the following breakers**

DT1-121 F1 with CRR  
DT1-145 F1 with CRR  
DT1-170 F1 with CRR

#### **Safety or Emergency stocks**

##### **For use on the tanks**

- Interrupter
- Bushing Insulator (Porcelain or Composite)
- Bushing Center Conductor
- Complete Seal Kit (including desiccant)
- Densimeter
- Tank Heater
- Pressure Relief Device (Burstdisk or Break Pin)

##### **For use in the cabinet/mechanism**

- Low Voltage Part Kit, which includes:
  - Trip and Closing Coils
  - Spring Charge Motor
  - Auxiliary Contact Blocks
  - Motor Limit Switch
  - One of each type of relay
  - Complete set of fuses
- Anti-Condensation Heaters

##### **M4 Maintenance Parts**

- Complete Seal Kit (includes desiccant)
- Mechanism Inspection Kit (if available)
- Grease and Lubricants
- Burst Disk Assembly
- "Standby" parts kit for use as needed (if available)



**Circuit Breaker Condition Assessment Result - M4 Maintenance**

<p><u>For the Tanks</u></p> <p>All Seals will be replaced and this includes :</p> <ul style="list-style-type: none"> <li>• The Bushing Upper and lower seals</li> <li>• The Tank End seals</li> <li>• The Dynamic seal for the pole shaft</li> <li>• The Gas piping seals including the densimeter</li> <li>• Dielectric cleaning of the Tank</li> <li>• The Replacement of the desiccant</li> </ul>	<p><u>For the Mechanism</u></p> <p>The mechanism will receive a careful examination which includes:</p> <ul style="list-style-type: none"> <li>• Check trip dashpot oil level and top-up as required</li> <li>• Clean-up and greasing of all mobile parts</li> <li>• Verification of all latch surface and replacement as needed</li> <li>• Verification of all needle and roller bearings; replacement as needed</li> <li>• Verification of all springs and replacement as needed</li> <li>• Verification of all heaters and replacement as needed</li> <li>• Verification of all auxiliary contacts and replacement as needed</li> </ul>
--	--

**Maintenance Parts Price List**

Parts needed to complete the M4 maintenance

Item#	Qty	Description	Unit Price	Total Price	Est. Lead Time (Bus. Weeks)
1	0	<b>Complete Seal Kit (includes desiccant)</b> KITSEALDT12F1F001	\$1,063.94	Request Quote	4 Weeks
2	0	<b>Burst Disk Assembly</b> BurstDiskDT121FK	\$197.55	Request Quote	4 Weeks
3	1	<b>Mechanism Inspection Kit</b> DT121CRRMechInspKit	\$394.50	\$394.50	8 Weeks
4	1	<b>Grease and Lubricants</b> KITGREASE	\$2,000.00	\$2,000.00	4 Weeks
5	1	<b>"Standby" parts kit for use as needed</b> STDBYKITCRRDT121	\$2,000.00	\$2,000.00	4 Weeks
<b>Total Net Price (\$US)</b>				<b>\$4,394.50</b>	



## Strategic Spares List

Item#	Qty	Description	Unit Price	Total Price	Est. Lead Time(Bus.Weeks)
1	1	<b>Interrupter - limited quantities</b> DT121CRRInterrupter	\$12,742.71	\$12,742.71	NA
2	1	<b>Bushing Insulator (Porcelain or Composite)</b> DT121CRRInsulator	\$3,174.17	\$3,174.17	14 Weeks
3	1	<b>Bushing Center Conductor</b> DT121CRRCenterCond	\$3,497.44	\$3,497.44	8 Weeks
4	1	<b>Complete Seal Kit (including desiccant)</b> KITSEALDT12F1C001	\$1,063.94	\$1,063.94	4 Weeks
5	1	<b>Densimeter</b> DT121CRRDensimeter	\$298.00	\$298.00	8 Weeks
6	3	<b>Pressure Relief Device (Burstdisk or Break Pin)</b> DT121CRRPRD	\$197.55	\$592.65	4 Weeks
7	1	<b>CRR5-4E complete mechanism w/o LV panel (only available for rotation)</b> DT121CRRMechRotation	\$9,440.42	\$9,440.42	16 Weeks
8	1	<b>Mechanism Dashpot</b> DT121CRRDashpot	\$1,963.50	\$1,963.50	8 Weeks
9	1	<b>Low Voltage Electrical components kit</b> KITLVDT12F1C001	\$8,052.64	\$8,052.64	8 Weeks
10	1	<b>Anti-Condensation Heater Kit</b> KITHTRDT12F1C001	\$89.91	\$89.91	8 Weeks
11	1	<b>Grease and Lubricants</b> KITGREASE	\$2,000.00	\$2,000.00	8 Weeks
<b>Total Net Price (\$US):</b>				<b>\$42,915.38</b>	

**Grand Total \$47,309.88**

**\*For more information, please contact:**

**Grid Solutions - Service**

**Toll Free: 1-866-837-7170**

**Other: 1-450-659-1399 Ext 611**

**Email: [partscenter@ge.com](mailto:partscenter@ge.com)**