



4/17/2017 12:09 PM

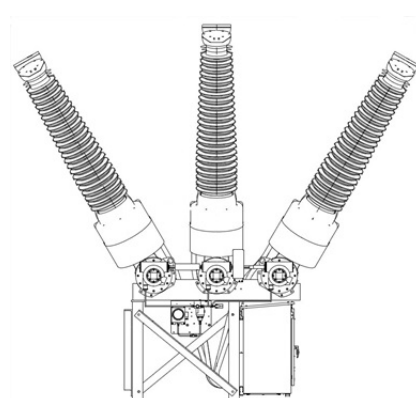
## Grid Solutions Online Store

### QUOTATION SUMMARY

**QUOTE# 99227212 (Please reference the QUOTE# when placing an order)**

<b>Customer</b>	Vince	<b>Phone No</b>	9059059055
<b>Customer Contact</b>	Vincent Thomas	<b>Email</b>	vincent.thomas2@ge.com

#### AIS Dead Tank DT1-121kV-FK Mechanism



#### This section covers the following breakers

DT1-121 F1 with FK3-1 mech  
DT1-145 F1 with FK3-1 mech  
DT1-170 F1 with FK3-1 mech

#### Safety or Emergency stocks

##### For use on the tanks

- Interrupter
- Bushing Insulator (Porcelain or Composite)
- Bushing Center Conductor
- Complete Seal Kit (including desiccant)
- Densimeter
- Tank Heater
- Pressure Relief Device (Burstdisk or Break Pin)

##### For use in the cabinet/mechanism

- Low Voltage Part Kit, which includes:
  - Trip and Closing Coils
  - Spring Charge Motor
  - Auxiliary Contact Blocks
  - Motor Limit Switch
  - One of each type of relay
  - Complete set of fuses
- Anti-Condensation Heaters

#### M4 Maintenance Parts

- Complete Seal Kit (includes desiccant)
- Mechanism Inspection Kit (if available)
- Grease and Lubricants
- Burst Disk Assembly
- "Standby" parts kit for use as needed (if available)

**Circuit Breaker Condition Assessment Result - M4 Maintenance**

For the Tanks	For the Mechanism
All Seals will be replaced and this includes : <ul style="list-style-type: none"> <li>• The Bushing Upper and lower seals</li> <li>• The Tank End seals</li> <li>• The Dynamic seal for the pole shaft</li> <li>• The Gas piping seals including the densimeter</li> <li>• Dielectric cleaning of the Tank</li> <li>• The Replacement of the desiccant</li> </ul>	The mechanism will receive a careful examination which includes: <ul style="list-style-type: none"> <li>• Check trip dashpot oil level and top-up as required</li> <li>• Clean-up and greasing of all mobile parts</li> <li>• Verification of all latch surface and replacement as needed</li> <li>• Verification of all needle and roller bearings; replacement as needed</li> <li>• Verification of all springs and replacement as needed</li> <li>• Verification of all heaters and replacement as needed</li> <li>• Verification of all auxiliary contacts and replacement as needed</li> </ul>

**Maintenance Parts Price List**

Parts needed to complete the M4 maintenance

Item#	Qty	Description	Unit Price	Total Price	Est. Lead Time (Bus. Weeks)
1	1	<b>Complete Seal Kit (includes desiccant)</b> KITSEALDT12F1F001	\$488.32	\$488.32	4 Weeks
2	3	<b>Burst Disk Assembly</b> BurstDiskDT121FK	\$197.55	\$592.64	4 Weeks
3	1	<b>Mechanism Inspection Kit</b> DT121FKMechInspKit	\$751.24	\$751.24	8 Weeks
4	1	<b>Grease and Lubricants</b> KITGREASE	\$2,000.00	\$2,000.00	4 Weeks
5	1	<b>"Standby" parts kit for use as needed</b> STDBYKITFKDT121	\$1,448.72	\$1,448.72	4 Weeks
<b>Total Net Price (\$US)</b>				<b>\$5,280.93</b>	



## Strategic Spares List

Item#	Qty	Description	Unit Price	Total Price	Est. Lead Time(Bus.Weeks)
1	1	<b>Interrupter</b> DT121FKInterrupter	\$10,194.17	\$10,194.17	NA
2	1	<b>Bushing Insulator (Porcelain or Composite)</b> DT121FKInsulator	\$3,174.17	\$3,174.17	14 Weeks
3	1	<b>Bushing Center Conductor</b> DT121FKCenterCond	\$3,497.44	\$3,497.44	8 Weeks
4	1	<b>Complete Seal Kit (including desiccant)</b> KITSEALDT12F1F001	\$488.32	\$488.32	4 Weeks
5	1	<b>Densimeter</b> DT121FKDensimeter	\$290.00	\$290.00	8 Weeks
6	3	<b>Pressure Relief Device (Burstdisk or Break Pin)</b> DT121FKPRD	\$197.55	\$592.64	4 Weeks
7	1	<b>FK3-1 complete mechanism w/o LV panel</b> DT121FKMechNew	\$9,440.42	\$9,440.42	16 Weeks
8	1	<b>Mechanism Dashpot</b> DT121FKDashpot	\$2,365.02	\$2,365.02	8 Weeks
9	1	<b>Low Voltage Electrical components kit</b> KITLVDT12F1F001	\$1,415.56	\$1,415.56	8 Weeks
10	1	<b>Anti-Condensation Heater Kit</b> KITHTRDT12F1F001	\$124.60	\$124.60	8 Weeks
11	1	<b>Grease and Lubricants</b> KITGREASE	\$2,000.00	\$2,000.00	8 Weeks
<b>Total Net Price (\$US):</b>				<b>\$33,582.34</b>	

**Grand Total \$38,863.27**

**\*For more information, please contact:**

**Grid Solutions - Service**

**Toll Free: 1-866-837-7170**

**Other: 1-450-659-1399 Ext 611**

**Email: [partscenter@ge.com](mailto:partscenter@ge.com)**