



4/17/2017 12:09 PM

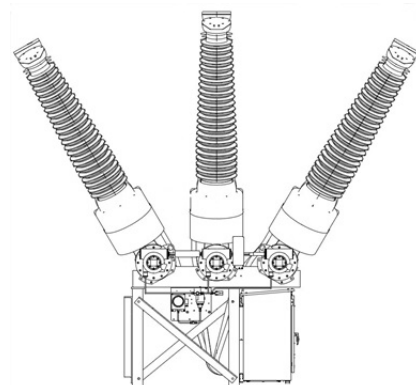
Grid Solutions Online Store

QUOTATION SUMMARY

QUOTE# 99227213 (Please reference the QUOTE# when placing an order)

Customer	test	Phone No	23424
Customer Contact	test	Email	test@ge.com

AIS Dead Tank DT1-121kV-FK Mechanism



This section covers the following breakers

DT1-121 F1 with FK3-1 mech
DT1-145 F1 with FK3-1 mech
DT1-170 F1 with FK3-1 mech

Safety or Emergency stocks

For use on the tanks

- Interrupter
- Bushing Insulator (Porcelain or Composite)
- Bushing Center Conductor
- Complete Seal Kit (including desiccant)
- Densimeter
- Tank Heater
- Pressure Relief Device (Burstdisk or Break Pin)

For use in the cabinet/mechanism

- Low Voltage Part Kit, which includes:
 - Trip and Closing Coils
 - Spring Charge Motor
 - Auxiliary Contact Blocks
 - Motor Limit Switch
 - One of each type of relay
 - Complete set of fuses
- Anti-Condensation Heaters

M4 Maintenance Parts

- Complete Seal Kit (includes desiccant)
- Mechanism Inspection Kit (if available)
- Grease and Lubricants
- Burst Disk Assembly
- "Standby" parts kit for use as needed (if available)

**Circuit Breaker Condition Assessment Result - M4 Maintenance**

For the Tanks	For the Mechanism
All Seals will be replaced and this includes : <ul style="list-style-type: none"> • The Bushing Upper and lower seals • The Tank End seals • The Dynamic seal for the pole shaft • The Gas piping seals including the densimeter • Dielectric cleaning of the Tank • The Replacement of the desiccant 	The mechanism will receive a careful examination which includes: <ul style="list-style-type: none"> • Check trip dashpot oil level and top-up as required • Clean-up and greasing of all mobile parts • Verification of all latch surface and replacement as needed • Verification of all needle and roller bearings; replacement as needed • Verification of all springs and replacement as needed • Verification of all heaters and replacement as needed • Verification of all auxiliary contacts and replacement as needed

Maintenance Parts Price List

Parts needed to complete the M4 maintenance

Item#	Qty	Description	Unit Price	Total Price	Est. Lead Time (Bus. Weeks)
1	1	Complete Seal Kit (includes desiccant) KITSEALDT12F1F001	£331.63	£331.63	4 Weeks
2	3	Burst Disk Assembly BurstDiskDT121FK	£134.16	£402.48	4 Weeks
3	1	Mechanism Inspection Kit DT121FKMechInspKit	£510.18	£510.18	8 Weeks
4	1	Grease and Lubricants KITGREASE	£1,358.24	£1,358.24	4 Weeks
5	1	"Standby" parts kit for use as needed STDBYKITFKDT121	£983.85	£983.85	4 Weeks
Total Net Price (£GBP)				£3,586.38	



4/17/2017 12:09 PM

***For more information, please contact:**

Grid Solutions - Service

Toll Free: 1-866-837-7170

Other: 1-450-659-1399 Ext 611

Email: partscenter@ge.com