



5/9/2017 11:56 AM

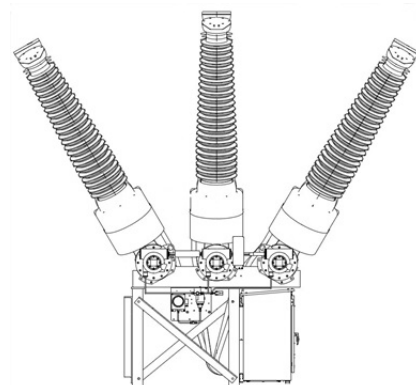
Grid Solutions Online Store

QUOTATION SUMMARY

QUOTE# 99228845 (Please reference the QUOTE# when placing an order)

| | | | |
|-------------------------|----------------------|-----------------|--------------------------|
| Customer | THE RALPH M. PARSONS | Phone No | 2342342 |
| Customer Contact | Test | Email | marisol.camarillo@ge.com |

AIS Dead Tank DT1-121kV-FK Mechanism



This section covers the following breakers

DT1-121 F1 with FK3-1 mech
DT1-145 F1 with FK3-1 mech
DT1-170 F1 with FK3-1 mech

Safety or Emergency stocks

For use on the tanks

- Interrupter
- Bushing Insulator (Porcelain or Composite)
- Bushing Center Conductor
- Complete Seal Kit (including desiccant)
- Densimeter
- Tank Heater
- Pressure Relief Device (Burstdisk or Break Pin)

For use in the cabinet/mechanism

- Low Voltage Part Kit, which includes:
 - Trip and Closing Coils
 - Spring Charge Motor
 - Auxiliary Contact Blocks
 - Motor Limit Switch
 - One of each type of relay
 - Complete set of fuses
- Anti-Condensation Heaters

M4 Maintenance Parts

- Complete Seal Kit (includes desiccant)
- Mechanism Inspection Kit (if available)
- Grease and Lubricants
- Burst Disk Assembly
- "Standby" parts kit for use as needed (if available)

**Circuit Breaker Condition Assessment Result - M4 Maintenance**

| For the Tanks | For the Mechanism |
|---|---|
| All Seals will be replaced and this includes : <ul style="list-style-type: none"> • The Bushing Upper and lower seals • The Tank End seals • The Dynamic seal for the pole shaft • The Gas piping seals including the densimeter • Dielectric cleaning of the Tank • The Replacement of the desiccant | The mechanism will receive a careful examination which includes: <ul style="list-style-type: none"> • Check trip dashpot oil level and top-up as required • Clean-up and greasing of all mobile parts • Verification of all latch surface and replacement as needed • Verification of all needle and roller bearings; replacement as needed • Verification of all springs and replacement as needed • Verification of all heaters and replacement as needed • Verification of all auxiliary contacts and replacement as needed |

Strategic Spares List

| Item# | Qty | Description | Unit Price | Total Price | Est. Lead Time(Bus.Weeks) |
|--------------------------------|-----|---|------------|------------------|---------------------------|
| 1 | 1 | Interrupter DT121FKInterrupter | £6,923.06 | £6,923.06 | NA |
| 2 | 1 | Bushing Insulator (Porcelain or Composite) DT121FKInsulator | £2,155.64 | £2,155.64 | 14 Weeks |
| Total Net Price (£GBP): | | | | £9,078.71 | |

***For more information, please contact:**

Grid Solutions - Service

Toll Free: 1-866-837-7170

Other: 1-450-659-1399 Ext 611

Email: partscenter@ge.com