



6/28/2017 12:52 PM

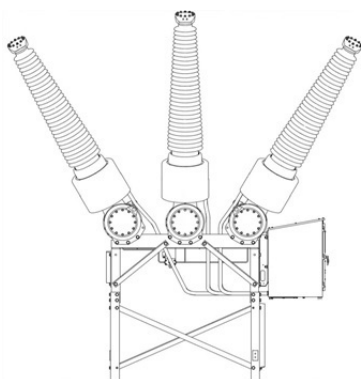
Grid Solutions Online Store

QUOTATION SUMMARY

QUOTE# 99232472 (Please reference the QUOTE# when placing an order)

Customer	john Doe	Phone No	1234
Customer Contact	ed	Email	jd@ge.com

AIS Dead Tank DT1-245P F1



This section covers the following breakers

DT1-145 F1 Mixed Gas with FK3-4 mech
DT1-245 F1 with FK3-4 mech

Safety or Emergency stocks

For use on the tanks

- Interrupter
- Bushing Insulator (Porcelain or Composite)
- Bushing Center Conductor
- Complete Seal Kit (including desiccant)
- Densimeter
- Tank Heater
- Pressure Relief Device (Burstdisk or Break Pin)

For use in the cabinet/mechanism

- Low Voltage Part Kit, which includes:
 - Trip and Closing Coils
 - Spring Charge Motor
 - Auxiliary Contact Blocks
 - Motor Limit Switch
 - One of each type of relay
 - Complete set of fuses
- Anti-Condensation Heaters

M4 Maintenance Parts

- Complete Seal Kit (includes desiccant)
- Mechanism Inspection Kit (if available)
- Grease and Lubricants
- Burst Disk Assembly
- "Standby" parts kit for use as needed (if available)

**Circuit Breaker Condition Assessment Result - M4 Maintenance**

For the Tanks	For the Mechanism
All Seals will be replaced and this includes : <ul style="list-style-type: none"> • The Bushing Upper and lower seals • The Tank End seals • The Dynamic seal for the pole shaft • The Gas piping seals including the densimeter • Dielectric cleaning of the Tank • The Replacement of the desiccant 	The mechanism will receive a careful examination which includes: <ul style="list-style-type: none"> • Check trip dashpot oil level and top-up as required • Clean-up and greasing of all mobile parts • Verification of all latch surface and replacement as needed • Verification of all needle and roller bearings; replacement as needed • Verification of all springs and replacement as needed • Verification of all heaters and replacement as needed • Verification of all auxiliary contacts and replacement as needed

Maintenance Parts Price List

Parts needed to complete the M4 maintenance

Item#	Qty	Description	Unit Price	Total Price	Est. Lead Time (Bus. Weeks)
1	1	Complete Seal Kit (includes desiccant) KITSEALDT14F1F001	\$1,022.53	\$1,022.53	4 Weeks
2	3	Burst Disk Assembly BurstDiskDT245PF1	\$238.68	\$716.04	4 Weeks
3	1	Mechanism Inspection Kit DT245PF1MechInspKit	\$751.24	\$751.24	8 Weeks
4	1	Grease and Lubricants KITGREASE	\$2,000.00	\$2,000.00	4 Weeks
5	1	"Standby" parts kit for use as needed STDBYKITFKDT245PF1	\$1,448.72	\$1,448.72	4 Weeks
Total Net Price (\$US)				\$5,938.53	



Strategic Spares List

Item#	Qty	Description	Unit Price	Total Price	Est. Lead Time(Bus.Weeks)
1	1	Interrupter DT245PF1Interrupter	\$18,720.00	\$18,720.00	24 Weeks
2	1	Bushing Insulator (Porcelain or Composite) DT245PF1Insulator	\$4,287.40	\$4,287.40	14 Weeks
3	1	Bushing Center Conductor DT245PF1CenterCond	\$2,821.42	\$2,821.42	8 Weeks
4	1	Complete Seal Kit (including desiccant) KITSEALDT14F1F001	\$1,022.53	\$1,022.53	4 Weeks
5	1	Densimeter DT245PF1Densimeter	\$290.00	\$290.00	8 Weeks
6	3	Pressure Relief Device (Burstdisk or Break Pin) DT245PF1PRD	\$238.68	\$716.04	4 Weeks
7	1	FK3-4 complete mechanism w/o LV panel DT245PF1MechNew	\$12,477.83	\$12,477.83	14 Weeks
8	1	Mechanism Dashpot DT245PF1Dashpot	\$2,365.02	\$2,365.02	4 Weeks
9	1	Low Voltage Electrical components kit KITLVDT14F1F001	\$2,121.72	\$2,121.72	4 Weeks
10	1	Anti-Condensation Heater Kit KITHTRDT14F1F001	\$373.80	\$373.80	4 Weeks
11	1	Grease and Lubricants KITGREASE	\$2,000.00	\$2,000.00	4 Weeks
Total Net Price (\$US):				\$47,195.75	

Grand Total \$53,134.28

***For more information, please contact:**

Grid Solutions - Service

Toll Free: 1-866-837-7170

Other: 1-450-659-1399 Ext 611

Email: partscenter@ge.com