



10/21/2019 05:00 PM

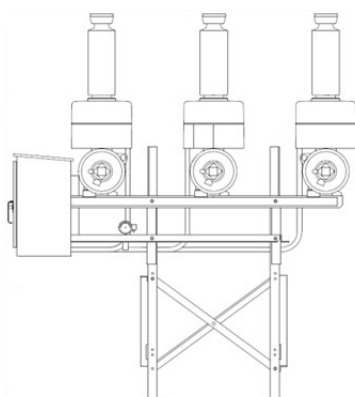
Grid Solutions Online Store

QUOTATION SUMMARY

QUOTE# 99302382 (Please reference the QUOTE# when placing an order)

Customer	Amanda	Phone No	2522428312
Customer Contact	Amanda	Email	amanda.wilczewski@ge.com

AIS Dead Tank DT1-38/72.5kV - FK Mechanism



This section covers the following breakers

DT1-38 F1 with FK3-1 mech
DT1-72,5 F1 with FK3-1 mech

Safety or Emergency stocks

For use on the tanks

- Interrupter
- Bushing Insulator (Porcelain or Composite)
- Bushing Center Conductor
- Complete Seal Kit (including desiccant)
- Densimeter
- Tank Heater
- Pressure Relief Device (Burstdisk or Break Pin)

For use in the cabinet/mechanism

- Low Voltage Part Kit, which includes:
 - Trip and Closing Coils
 - Spring Charge Motor
 - Auxiliary Contact Blocks
 - Motor Limit Switch
 - One of each type of relay
 - Complete set of fuses
- Anti-Condensation Heaters

M4 Maintenance Parts

- Complete Seal Kit (includes desiccant)
- Mechanism Inspection Kit (if available)
- Grease and Lubricants
- Burst Disk Assembly
- "Standby" parts kit for use as needed (if available)

**Circuit Breaker Condition Assessment Result - M4 Maintenance**

For the Tanks	For the Mechanism
All Seals will be replaced and this includes : <ul style="list-style-type: none"> • The Bushing Upper and lower seals • The Tank End seals • The Dynamic seal for the pole shaft • The Gas piping seals including the densimeter • Dielectric cleaning of the Tank • The Replacement of the desiccant 	The mechanism will receive a careful examination which includes: <ul style="list-style-type: none"> • Check trip dashpot oil level and top-up as required • Clean-up and regreasing of all mobile parts • Verification of all latch surface and replacement as needed • Verification of all needle and roller bearings; replacement as needed • Verification of all springs and replacement as needed • Verification of all heaters and replacement as needed • Verification of all auxiliary contacts and replacement as needed

Maintenance Parts Price List

Parts needed to complete the M4 maintenance

Item#	Qty	Description	Unit Price	Total Price	Est. Lead Time (Bus. Weeks)
1	1	Complete Seal Kit (includes desiccant) KITSEALDT09F001	\$311.54	\$311.54	4 Weeks
2	3	Burst Disk Assembly BurstDiskDT72FK	\$197.55	\$592.64	4 Weeks
3	1	Mechanism Inspection Kit DT72FKMechInspKit	\$751.24	\$751.24	8 Weeks
4	1	Grease and Lubricants KITGREASE	\$2,000.00	\$2,000.00	4 Weeks
5	1	"Standby" parts kit for use as needed STDBYKITFKDT72	\$1,448.72	\$1,448.72	4 Weeks
Total Net Price (\$US)				\$5,104.15	



Strategic Spares List

Item#	Qty	Description	Unit Price	Total Price	Est. Lead Time(Bus.Weeks)
1	1	Interrupter DT72FKInterrupter	\$7,756.66	\$7,756.66	16 Weeks
2	1	Bushing Insulator (Porcelain or Composite) DT72FKInsulator	\$3,878.65	\$3,878.65	14 Weeks
3	2	Bushing Center Conductor DT72FKCenterCond	\$727.27	\$1,454.54	8 Weeks
4	1	Complete Seal Kit (including desiccant) KITSEALDT09C001	\$311.54	\$311.54	4 Weeks
5	1	Densimeter DT72FKDensimeter	\$290.00	\$290.00	8 Weeks
6	3	Pressure Relief Device (Burstdisk or Break Pin) DT72FKPRD	\$197.55	\$592.64	4 Weeks
7	1	FK3-1 complete mechanism w/o LV panel DT72FKMechNew	\$7,509.60	\$7,509.60	8 Weeks
8	1	Mechanism Dashpot DT72FKDashpot	\$2,365.02	\$2,365.02	4 Weeks
9	1	Low Voltage Electrical components kit KITLVDT09FK	\$1,299.64	\$1,299.64	4 Weeks
10	1	Anti-Condensation Heater Kit KITHTRDT09FK	\$124.60	\$124.60	4 Weeks
11	1	Grease and Lubricants KITGREASE	\$2,000.00	\$2,000.00	4 Weeks
Total Net Price (\$US):				\$27,582.90	

Grand Total \$32,687.05

***For more information, please contact:**

Grid Solutions - Service

Toll Free: 1-866-837-7170

Other: 1-450-659-1399 Ext 611

Email: partscenter@ge.com