



5/19/2021 03:27 PM

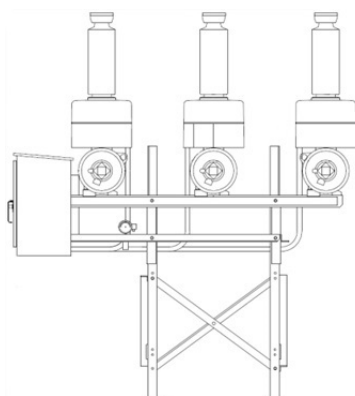
## Grid Solutions Online Store

### QUOTATION SUMMARY

**QUOTE# 99357953 (Please reference the QUOTE# when placing an order)**

<b>Customer</b>	GE	<b>Phone No</b>	19516394016
<b>Customer Contact</b>	Montse	<b>Email</b>	montserrat.warrington@ge.com

#### AIS Dead Tank DT1-38/72.5kV - FK Mechanism



#### This section covers the following breakers

DT1-38 F1 with FK3-1 mech  
DT1-72,5 F1 with FK3-1 mech

#### Safety or Emergency stocks

##### For use on the tanks

- Interrupter
- Bushing Insulator (Porcelain or Composite)
- Bushing Center Conductor
- Complete Seal Kit (including desiccant)
- Densimeter
- Tank Heater
- Pressure Relief Device (Burstdisk or Break Pin)

##### For use in the cabinet/mechanism

- Low Voltage Part Kit, which includes:
  - Trip and Closing Coils
  - Spring Charge Motor
  - Auxiliary Contact Blocks
  - Motor Limit Switch
  - One of each type of relay
  - Complete set of fuses
- Anti-Condensation Heaters

#### M4 Maintenance Parts

- Complete Seal Kit (includes desiccant)
- Mechanism Inspection Kit (if available)
- Grease and Lubricants
- Burst Disk Assembly
- "Standby" parts kit for use as needed (if available)

**Circuit Breaker Condition Assessment Result - M4 Maintenance**

For the Tanks	For the Mechanism
All Seals will be replaced and this includes : <ul style="list-style-type: none"> <li>• The Bushing Upper and lower seals</li> <li>• The Tank End seals</li> <li>• The Dynamic seal for the pole shaft</li> <li>• The Gas piping seals including the densimeter</li> <li>• Dielectric cleaning of the Tank</li> <li>• The Replacement of the desiccant</li> </ul>	The mechanism will receive a careful examination which includes: <ul style="list-style-type: none"> <li>• Check trip dashpot oil level and top-up as required</li> <li>• Clean-up and greasing of all mobile parts</li> <li>• Verification of all latch surface and replacement as needed</li> <li>• Verification of all needle and roller bearings; replacement as needed</li> <li>• Verification of all springs and replacement as needed</li> <li>• Verification of all heaters and replacement as needed</li> <li>• Verification of all auxiliary contacts and replacement as needed</li> </ul>

**Maintenance Parts Price List**

Parts needed to complete the M4 maintenance

Item#	Qty	Description	Unit Price	Total Price	Est. Lead Time (Bus. Weeks)
1	1	<b>Complete Seal Kit (includes desiccant)</b> KITSEALDT09F001	£237.91	£237.91	4 Weeks
2	3	<b>Burst Disk Assembly</b> BurstDiskDT72FK	£150.85	£452.56	4 Weeks
3	1	<b>Mechanism Inspection Kit</b> DT72FKMechInspKit	£573.67	£573.67	8 Weeks
4	1	<b>Grease and Lubricants</b> KITGREASE	£1,527.27	£1,527.27	4 Weeks
5	1	<b>"Standby" parts kit for use as needed</b> STDBYKITFKDT72	£1,106.29	£1,106.29	4 Weeks
<b>Total Net Price (£GBP)</b>				<b>£3,897.71</b>	



## Strategic Spares List

Item#	Qty	Description	Unit Price	Total Price	Est. Lead Time(Bus.Weeks)
1	1	<b>Interrupter</b> DT72FKInterrupter	£6,254.18	£6,254.18	16 Weeks
2	1	<b>Bushing Insulator (Porcelain or Composite)</b> DT72FKInsulator	£1,501.61	£1,501.61	12 Weeks
3	1	<b>Bushing Center Conductor</b> DT72FKCenterCond	£772.52	£772.52	8 Weeks
4	1	<b>Complete Seal Kit (including desiccant)</b> KITSEALDT09F001	£237.91	£237.91	4 Weeks
5	1	<b>Densimeter</b> DT72FKDensimeter	£221.45	£221.45	8 Weeks
6	3	<b>Pressure Relief Device (Burstdisk or Break Pin)</b> DT72FKPRD	£150.85	£452.56	4 Weeks
7	1	<b>FK3-1 complete mechanism w/o LV panel</b> DT72FKMechNew	£4,704.00	£4,704.00	8 Weeks
8	1	<b>Mechanism Dashpot</b> DT72FKDashpot	£1,806.01	£1,806.01	4 Weeks
9	1	<b>Low Voltage Electrical components kit</b> KITLVDT09FK	£1,003.15	£1,003.15	4 Weeks
10	1	<b>Anti-Condensation Heater Kit</b> KITHTRDT09FK	£95.15	£95.15	4 Weeks
11	1	<b>Grease and Lubricants</b> KITGREASE	£1,527.27	£1,527.27	4 Weeks
<b>Total Net Price (£GBP):</b>				<b>£18,575.81</b>	

**Grand Total £22,473.52**

**\*For more information, please contact:**

**Grid Solutions - Service**

**Toll Free: 1-866-837-7170**

**Other: 1-450-659-1399 Ext 611**

**Email: [partscenter@ge.com](mailto:partscenter@ge.com)**