



5/18/2022 02:38 PM

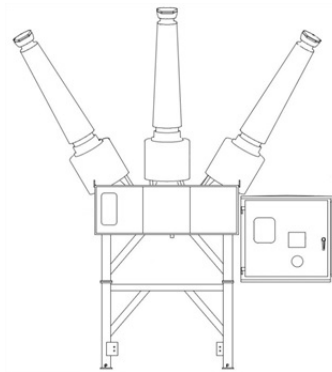
Grid Solutions Online Store

QUOTATION SUMMARY

QUOTE# 99396677 (Please reference the QUOTE# when placing an order)

Customer	test	Phone No	test
Customer Contact	test	Email	CelisaHudson@ge.com

AIS Dead Tank DT1-121kv-CRR Mechanism



This section covers the following breakers

DT1-121 F1 with CRR
DT1-145 F1 with CRR
DT1-170 F1 with CRR

Safety or Emergency stocks

For use on the tanks

- Interrupter
- Bushing Insulator (Porcelain or Composite)
- Bushing Center Conductor
- Complete Seal Kit (including desiccant)
- Densimeter
- Tank Heater
- Pressure Relief Device (Burstdisk or Break Pin)

For use in the cabinet/mechanism

- Low Voltage Part Kit, which includes:
 - Trip and Closing Coils
 - Spring Charge Motor
 - Auxiliary Contact Blocks
 - Motor Limit Switch
 - One of each type of relay
 - Complete set of fuses
- Anti-Condensation Heaters

M4 Maintenance Parts

- Complete Seal Kit (includes desiccant)
- Mechanism Inspection Kit (if available)
- Grease and Lubricants
- Burst Disk Assembly
- "Standby" parts kit for use as needed (if available)

**Circuit Breaker Condition Assessment Result - M4 Maintenance**

For the Tanks	For the Mechanism
All Seals will be replaced and this includes : <ul style="list-style-type: none"> • The Bushing Upper and lower seals • The Tank End seals • The Dynamic seal for the pole shaft • The Gas piping seals including the densimeter • Dielectric cleaning of the Tank • The Replacement of the desiccant 	The mechanism will receive a careful examination which includes: <ul style="list-style-type: none"> • Check trip dashpot oil level and top-up as required • Clean-up and greasing of all mobile parts • Verification of all latch surface and replacement as needed • Verification of all needle and roller bearings; replacement as needed • Verification of all springs and replacement as needed • Verification of all heaters and replacement as needed • Verification of all auxiliary contacts and replacement as needed

Maintenance Parts Price List

Parts needed to complete the M4 maintenance

Item#	Qty	Description	Unit Price	Total Price	Est. Lead Time (Bus. Weeks)
1	1	Complete Seal Kit (includes desiccant) KITSEALDT12F1C001	€974.52	€974.52	4 Weeks
2	3	Burst Disk Assembly BurstDiskDT121CRR	€180.90	€542.69	4 Weeks
3	1	Mechanism Inspection Kit DT121CRRMechInspKit	€385.33	€385.33	8 Weeks
4	1	Grease and Lubricants KITGREASE	€1,831.43	€1,831.43	4 Weeks
5	1	"Standby" parts kit for use as needed STDBYKITCRRDT121	€1,831.43	€1,831.43	4 Weeks
Total Net Price (€EURO)				€5,565.42	



Strategic Spares List

Item#	Qty	Description	Unit Price	Total Price	Est. Lead Time(Bus.Weeks)
1	1	Interrupter - limited quantities DT121CRRInterrupter	€12,400.33	€12,400.33	20 Weeks
2	1	Bushing Insulator (Porcelain or Composite) DT121CRRInsulator	€1,990.00	€1,990.00	12 Weeks
3	1	Bushing Center Conductor DT121CRRCenterCond	€794.26	€794.26	8 Weeks
4	1	Complete Seal Kit (including desiccant) KITSEALDT12F1C001	€974.52	€974.52	4 Weeks
5	1	Densimeter DT121CRRDensimeter	€272.88	€272.88	8 Weeks
6	0	Pressure Relief Device (Burstdisk or Break Pin) DT121CRRPRD	€180.90	Request Quote	4 Weeks
7	1	CRR5-4E complete mechanism w/o LV panel (only available for rotation) DT121CRRMechRotation	€9,157.16	€9,157.16	4 Weeks
8	0	Mechanism Dashpot DT121CRRDashpot	€1,917.88	Request Quote	12 Weeks
9	1	Low Voltage Electrical components kit KITLVDT12F1C001	€7,655.43	€7,655.43	12 Weeks
10	0	Anti-Condensation Heater Kit KITHTRDT12F1C001	€82.33	Request Quote	12 Weeks
11	0	Grease and Lubricants KITGREASE	€1,831.43	Request Quote	4 Weeks
Total Net Price (€EURO):				€33,244.59	

Grand Total €38,810.01

***For more information, please contact:**

Grid Solutions - Service

Toll Free: 1-866-837-7170

Other: 1-450-659-1399 Ext 611

Email: partscenter@ge.com