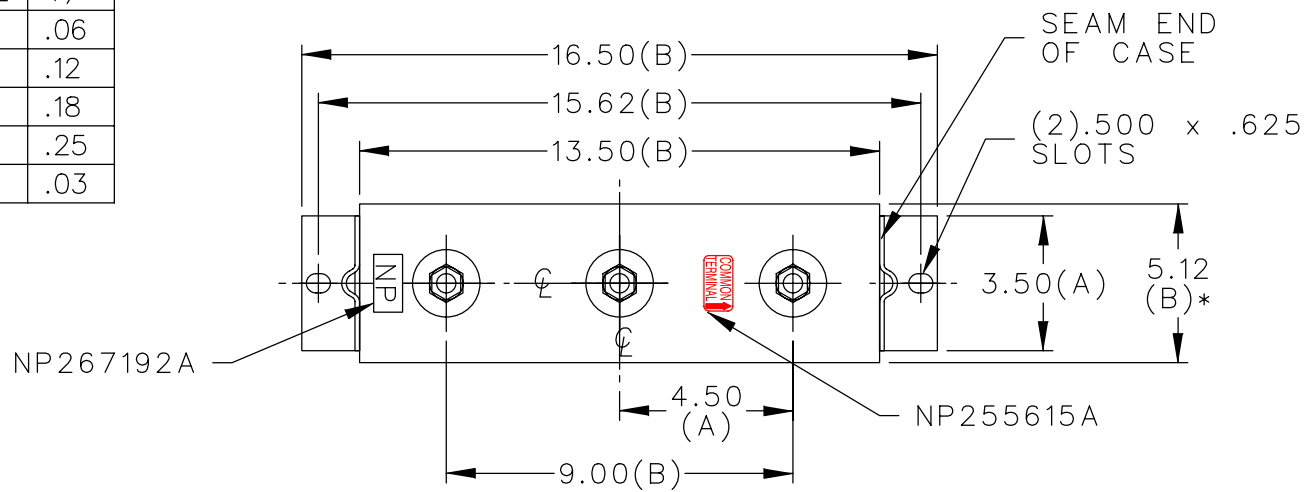
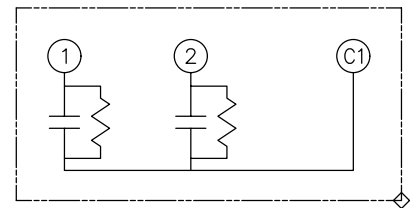


SIZE A	DWG NO. 16L0004WH3	SH 2	REV
REV 2	McGINN update cat no		

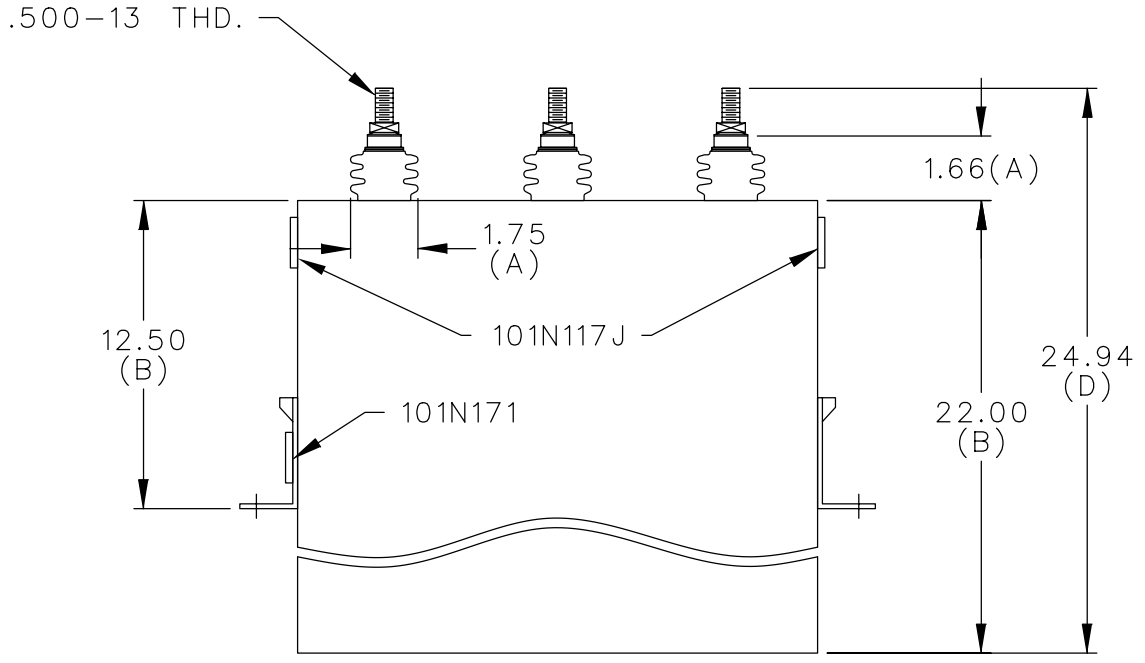
TOL	+/-
A	.06
B	.12
C	.18
D	.25
E	.03



TERM	uF	kVAR
1	211.7	103
2	211.7	103



SCHEMATIC DIAGRAM - 212



2x103 KVAR/TAP
 1136 V 1 PH KVBIL
 206 KVAR 60 HZ
 CAT. 16L0004WH3
 2.0 GAL.
 MFG DATE
 101N171 READ GEH-2743

* UP TO +.50
 CASE BULGE

MAX. TERMINAL
 TIGHTENING TORQUE
 15 FT-LBS

NP267192A

	CAPACITOR & POWER PROTECTION FORT EDWARD, N.Y., U.S.A.		SIZE A	FSCM NO	OUTLINE 16L0004WH3	DISTR TO
	DRAWN E.McGINN	JULY 17, 1996	SCALE	SHEET 2 CONT 3		
ISSUED	7-17-96					