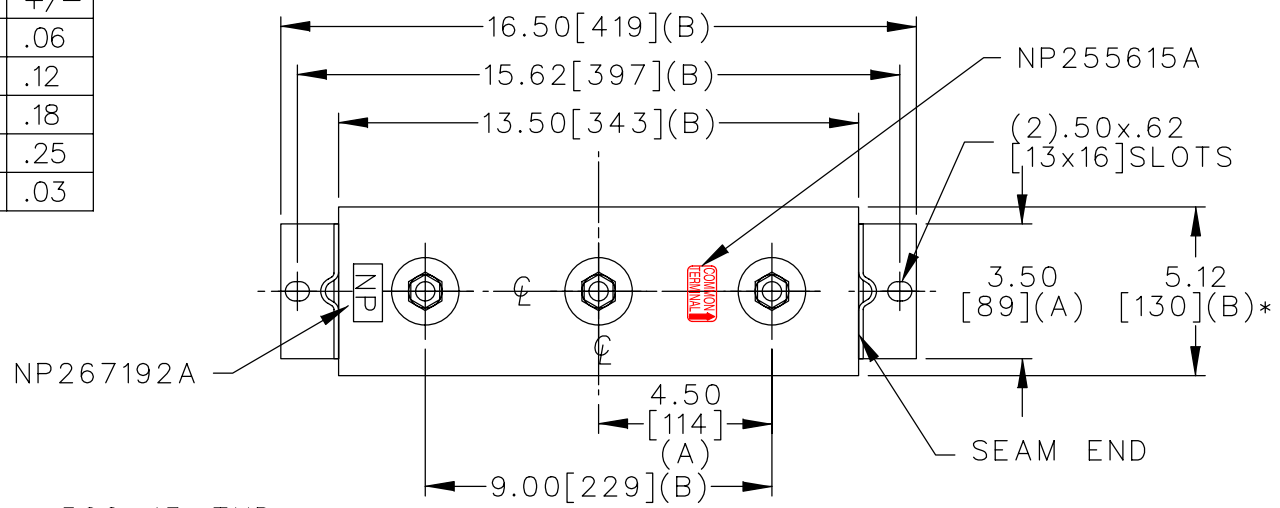
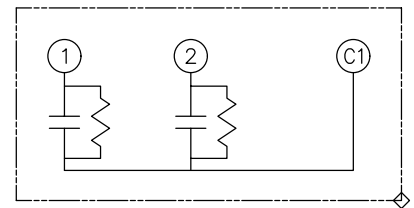


TOL	+/-
A	.06
B	.12
C	.18
D	.25
E	.03

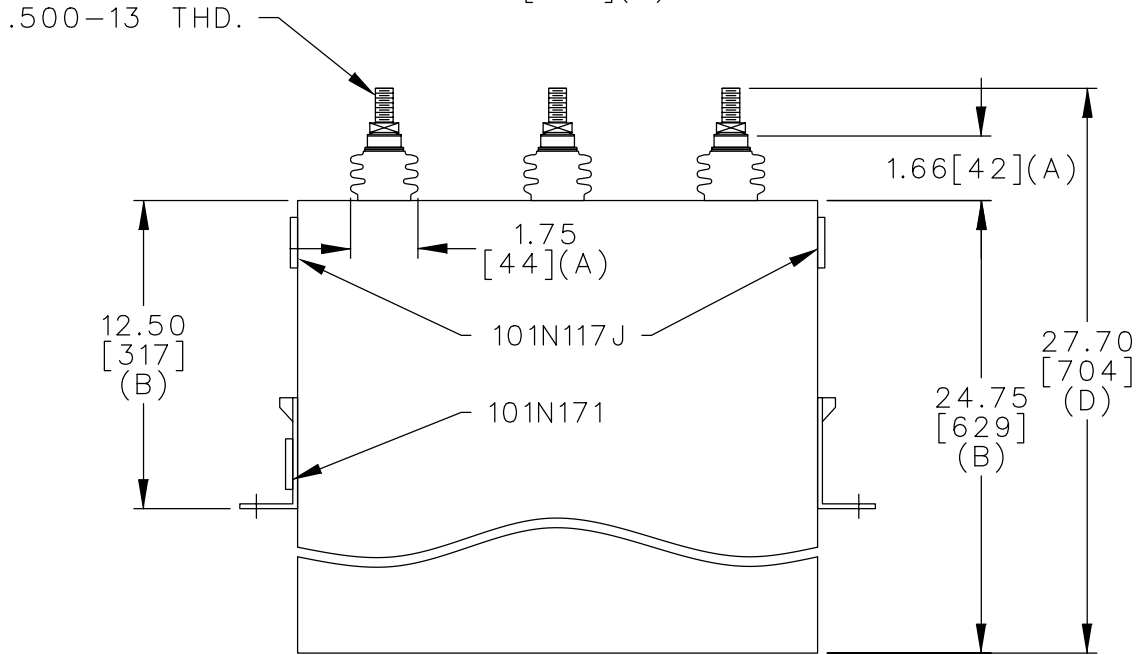
SIZE	DWG NO.	SH	REV
A	16L0018WH3	2	
REV	McGINN UPDATE CAT NO		
1			



TERM	uF	kVAR
1	155.6	110
2	155.6	110



SCHEMATIC DIAGRAM - 212



2 X 155.6 UF/TAP  
 1500 V 1 PH KVBIL  
 220 KVAR 50 HZ  
 CAT. 16L0018WH3  
 2.4 GAL.  
 MFG DATE  
 101N171 READ GEH-2743

\* UP TO +.50[13]  
 CASE BULGE

MAX. TERMINAL  
 TIGHTENING TORQUE  
 15 FT-LBS

NP267192A

	CAPACITOR & POWER PROTECTION FORT EDWARD, N.Y., U.S.A.		SIZE <b>A</b>	FSCM NO	<b>OUTLINE</b> <b>16L0018WH3</b>	DISTR TO
	DRAWN E.McGINN	OCT. 13, 1998	SCALE	SHEET 2 CONT 3		
ISSUED	10-14-98					