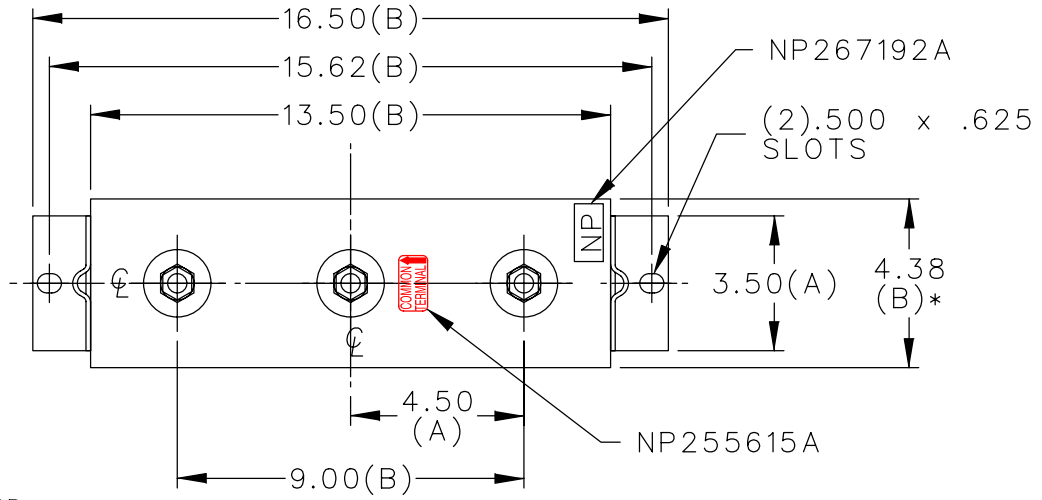
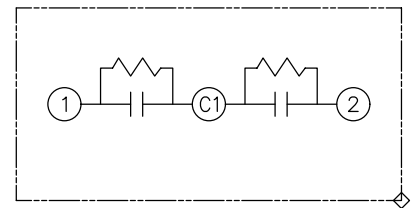


TOL	+/-
A	.06
B	.12
C	.18
D	.25
E	.03

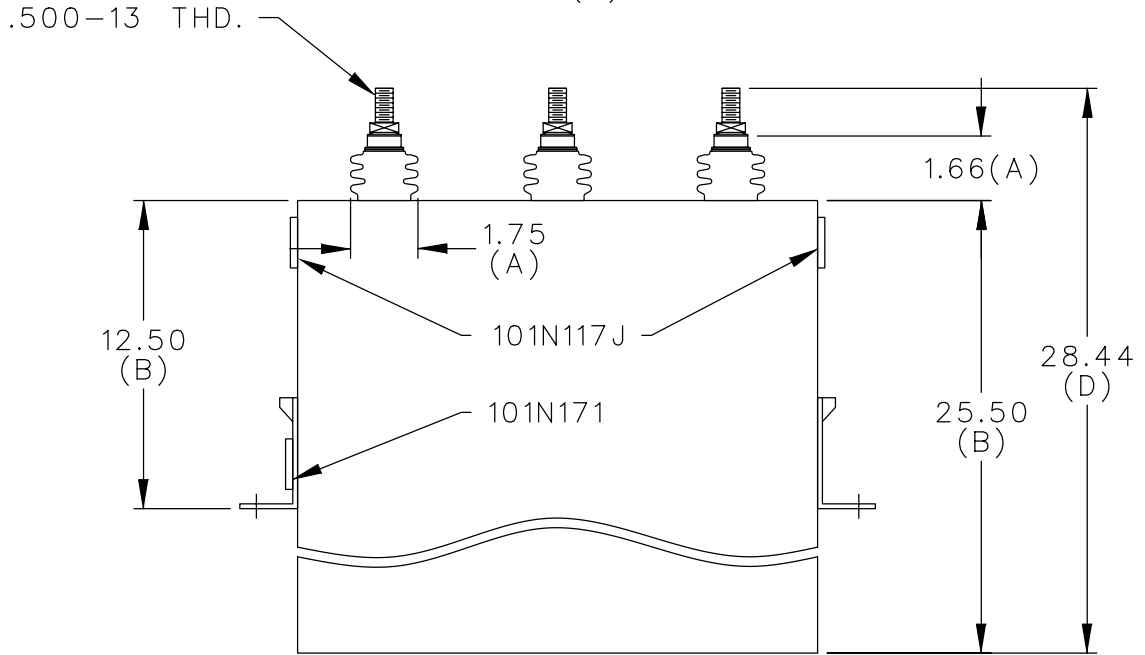
SIZE A	DWG NO. 16L0021WH3	SH 2	REV
REV 1	McGINN UPDATE CAT NO		



TERM	uF	kVAR
1	169.8	100
2	169.8	100



SCHEMATIC DIAGRAM - 227



100/100 KVAR SECTIONS
 1250 V 1 PH KVBIL
 200 KVAR 60 HZ
 CAT. 16L0021WH3
 2.06 GAL.
 MFG DATE
 101N171 READ GEH-2743

* UP TO +.50
 CASE BULGE

MAX. TERMINAL
 TIGHTENING TORQUE
 15 FT-LBS

NP267192A

	CAPACITOR & POWER PROTECTION FORT EDWARD, N.Y., U.S.A.		SIZE A	FSCM NO	OUTLINE 16L0021WH3	DISTR TO
	DRAWN E.McGINN	DEC. 13, 1996	SCALE	SHEET 2 CONT 3		
ISSUED	12-18-96					