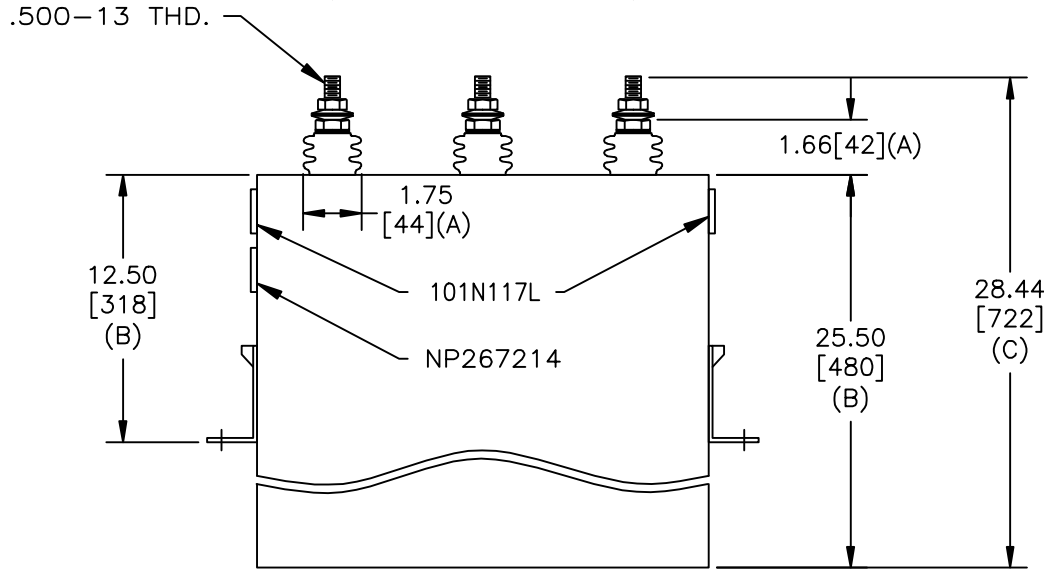
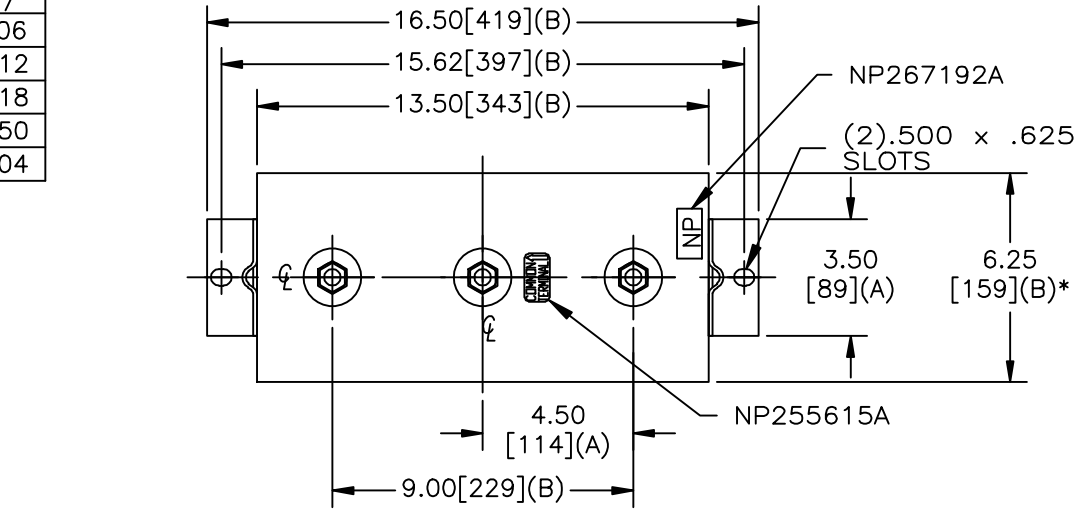
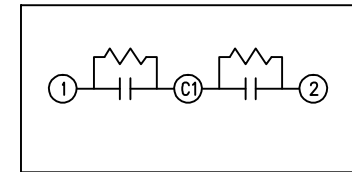


TOL	+/-
A	.06
B	.12
C	.18
D	.50
E	.04


SIZE A	DWG NO 16L0039WJ3	SHT 2	REV
REV	DESCRIPTION	DATE	APPROVED



TERM	uF	kVAR
1	230.3	125
2	230.3	125




SCHEMATIC DIAGRAM - 227

 **CAPACITOR**
WITH INTERNAL DISCHARGE RESISTORS
CAT. 16L0039WJ3 SN
250KVAR 1200V 60HZ 1PH
2x230.3UF/TAP
3.1 GAL. COMBUSTIBLE LIQUID
CAUTION! BEFORE INSTALLING OR
OPERATING READ GEH-2743
MADE IN U.S.A. NP267214

* UP TO +.50
CASE BULGE

MAX. TERMINAL
TIGHTENING TORQUE
15 FT-LBS

NP267192A

	GE ENERGY FORT EDWARD, N.Y., U.S.A.		SIZE A
DRAWN	JBCozzens	DATE	10/28/2010
ISSUED		DATE	11/01/2010

SCALE		SHEET 2		CONT ON 3		OUTLINE 16L0039WJ3	