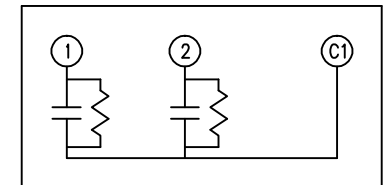


TOL	+/-
A	.06
B	.12
C	.18
D	.50
E	.04

SIZE	DWG NO 16L0041WH4026	SHT 2	REV 2
REV	DESCRIPTION	DATE	APPROVED
2	UPDATE BRACKET TYPE	2/7/2011	DMR

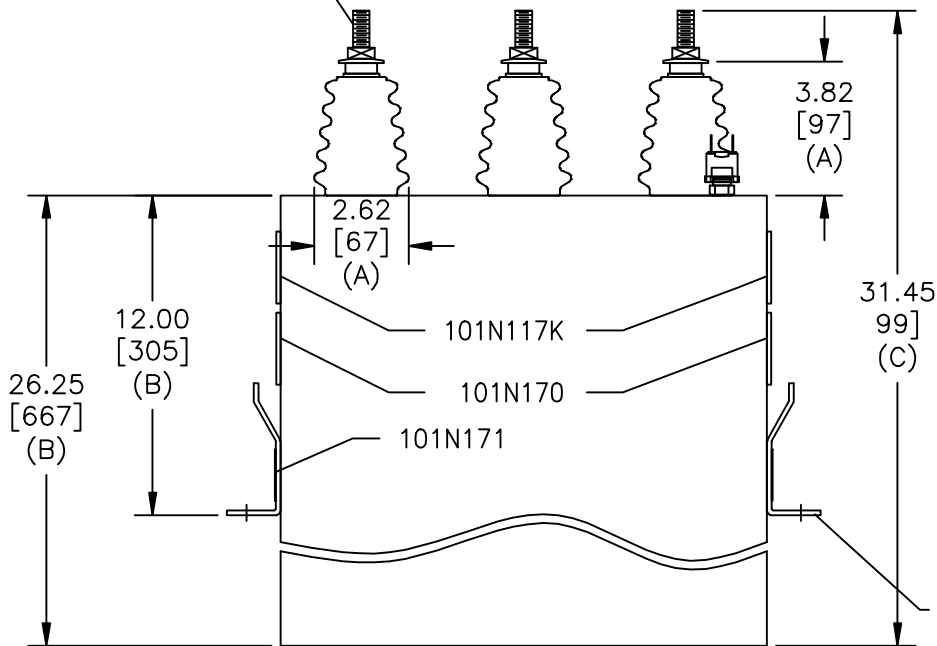
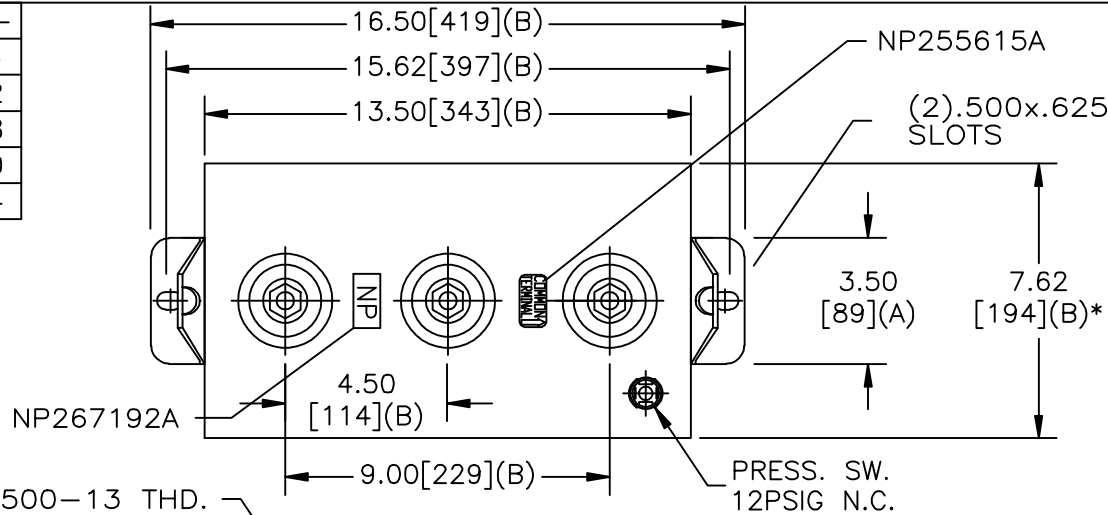
TERM	uF	kVAR
1	70.74	200
2	70.74	200

kVAR	VOLTS	FREQ	PH
400	3000	50	1
400	1500	200	1



SCHEMATIC DIAGRAM - 212

3000/1500V 1 PH kVBIL  
 400 KVAR 50/200Hz  
 CAT 16L0041WH4026 SN  
 3.15 GAL.  
 MFG DATE  
 101N171 READ GEH- 2743



\* UP TO +.50[13] CASE BULGE

MAX. TERMINAL  
TIGHTENING TORQUE  
15 FT-LBS  
NP267192A

	GE ENERGY FORT EDWARD, N.Y., U.S.A.	
	DRAWN B.ROSS	DATE 10/5/2010
ISSUED	DATE 10/5/2010	

SIZE A	OUTLINE 16L0041WH4026
SCALE	
SHEET 2	CONT ON 3

DISTR. TO