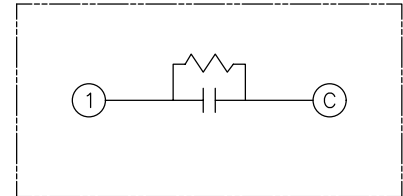
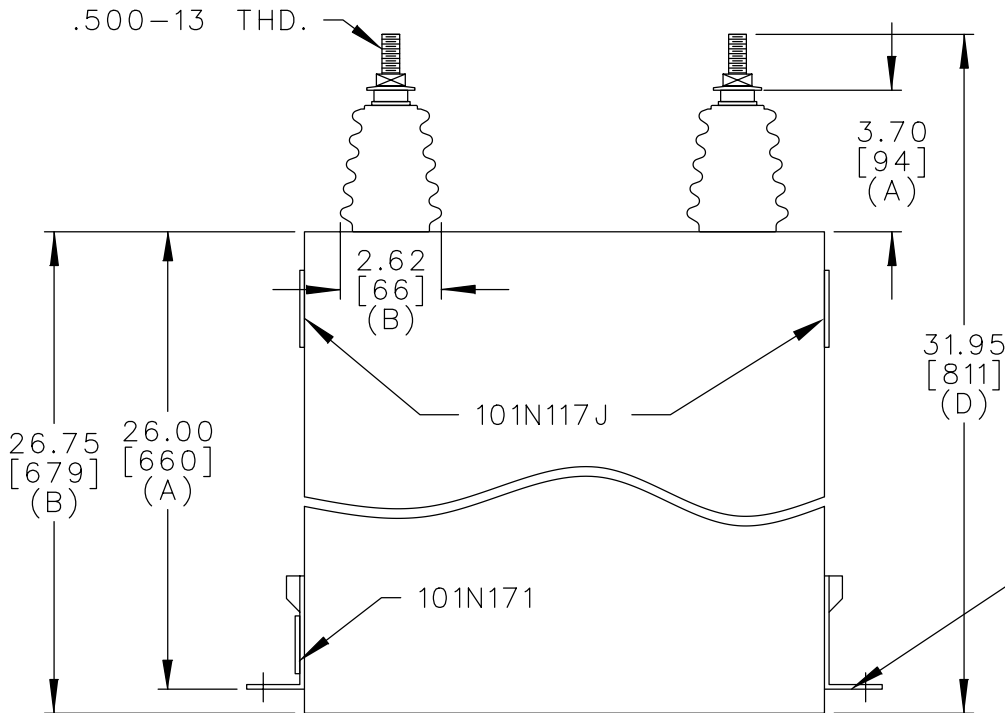
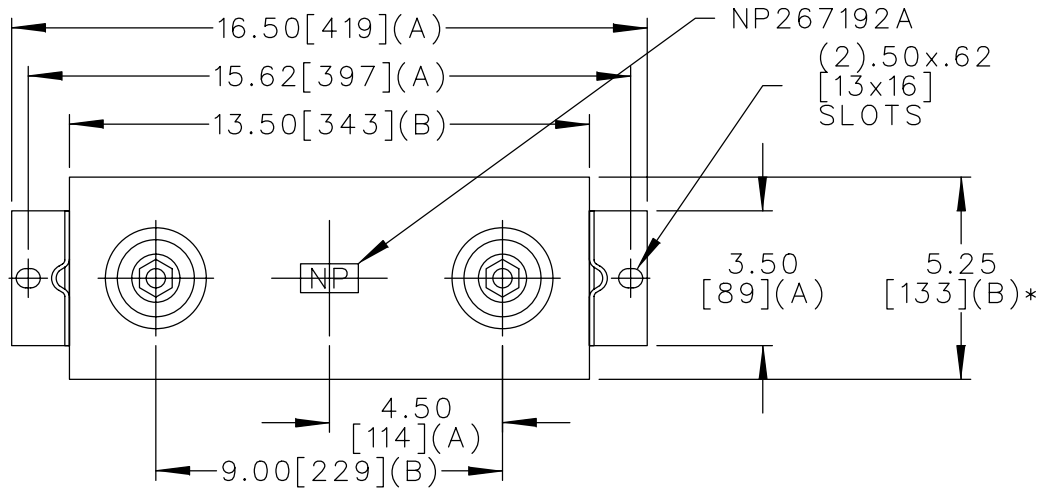


SIZE A	DWG NO. 16L0052WH3	SH 2	REV
REV			

TOL	+/-
A	.06
B	.12
C	.18
D	.04



SCHEMATIC DIAGRAM - 102

1600 V	1 PH
250 KVAR	50 HZ KV BIL
CAT. 16L0052WH3	NO.
101N171	2.6 GAL.
	GEH-2743

UNPAINTED AREA
UNDER BOTH
BRACKETS FOR
GROUNDING

* UP TO +.50 [13]
CASE BULGE

MAX. TERMINAL
TIGHTENING TORQUE
15 FT-LBS

NP267192A

 CAPACITOR & POWER PROTECTION FORT EDWARD, N.Y., U.S.A.	SIZE A	FSCM NO	OUTLINE 16L0052WH3	DISTR TO
	DRAWN E.McGINN JULY 27, 1998	SCALE		
ISSUED				