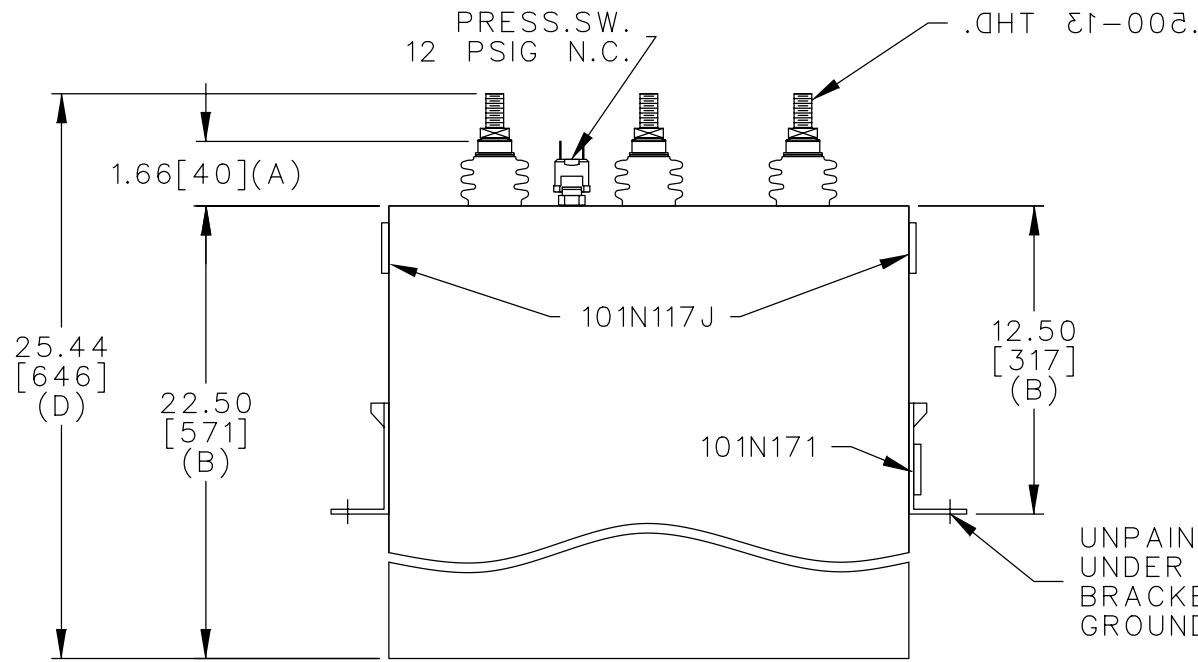
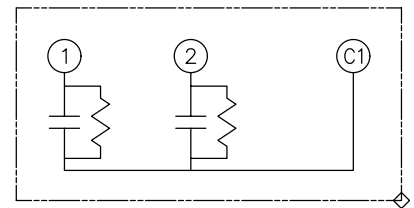
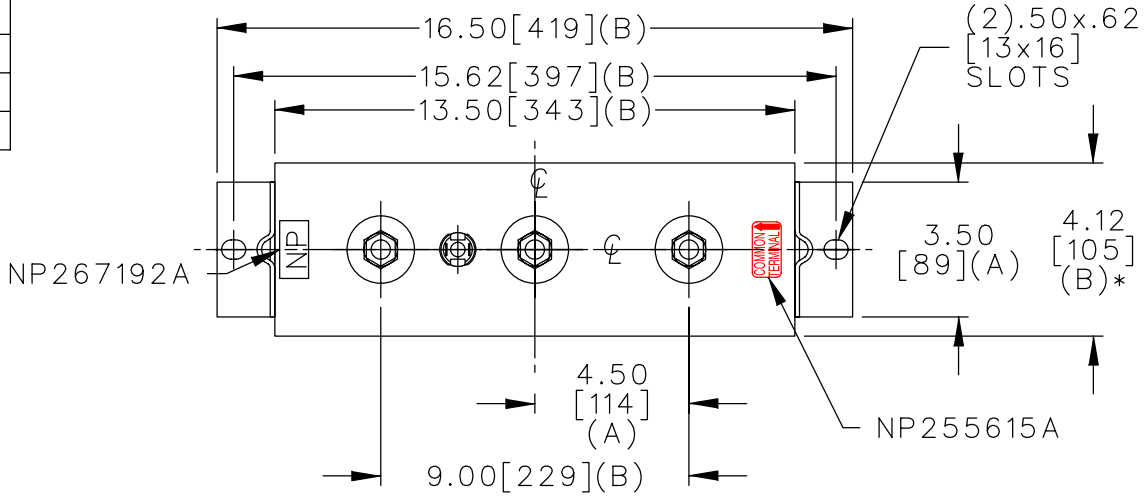


TOL	+/-	BUSH. DIA.
A	.06	1.75[44](A)
B	.12	
C	.18	
D	.25	
E	.03	

TERM	uF	KVAR
1	138.2	75
2	138.2	75



2 x 75 KVAR
 1200V 1 PH
 150KVAR 60Hz KVBIL
 CAT. 16L0057WH4
 2.0 GAL.
 MFG DATE
 101N171 READ GEH-2743

* UP TO +.50[13] CASE BULGE

MAX. TERMINAL TIGHTENING TORQUE 15 FT-LBS

NP267192A

 CAPACITOR & POWER PROTECTION FORT EDWARD, N.Y., U.S.A.	SIZE	FSCM NO	<h1>OUTLINE</h1> <h2>16L0057WH4</h2>	DISTR TO
DRAWN E.McGINN NOV. 29, 1999	ISSUED	SCALE	SHEET 2	CONT ON 3