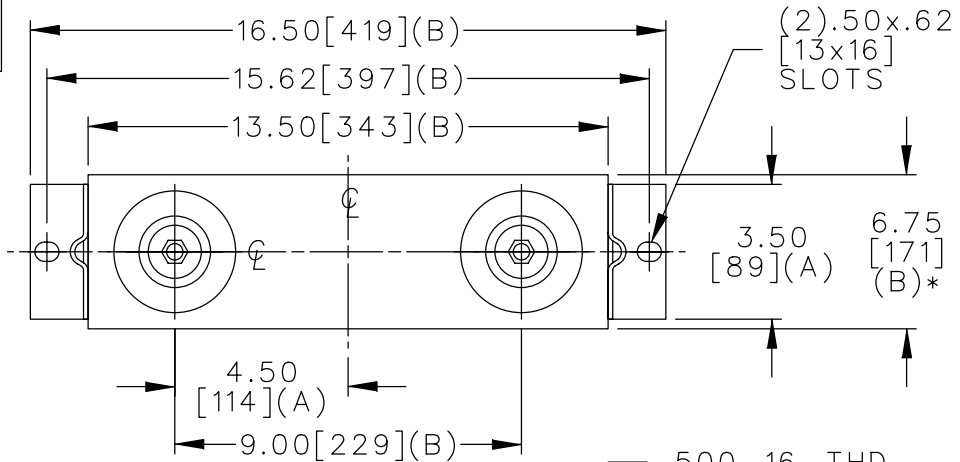
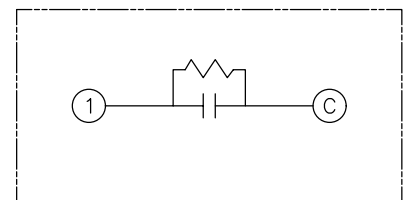
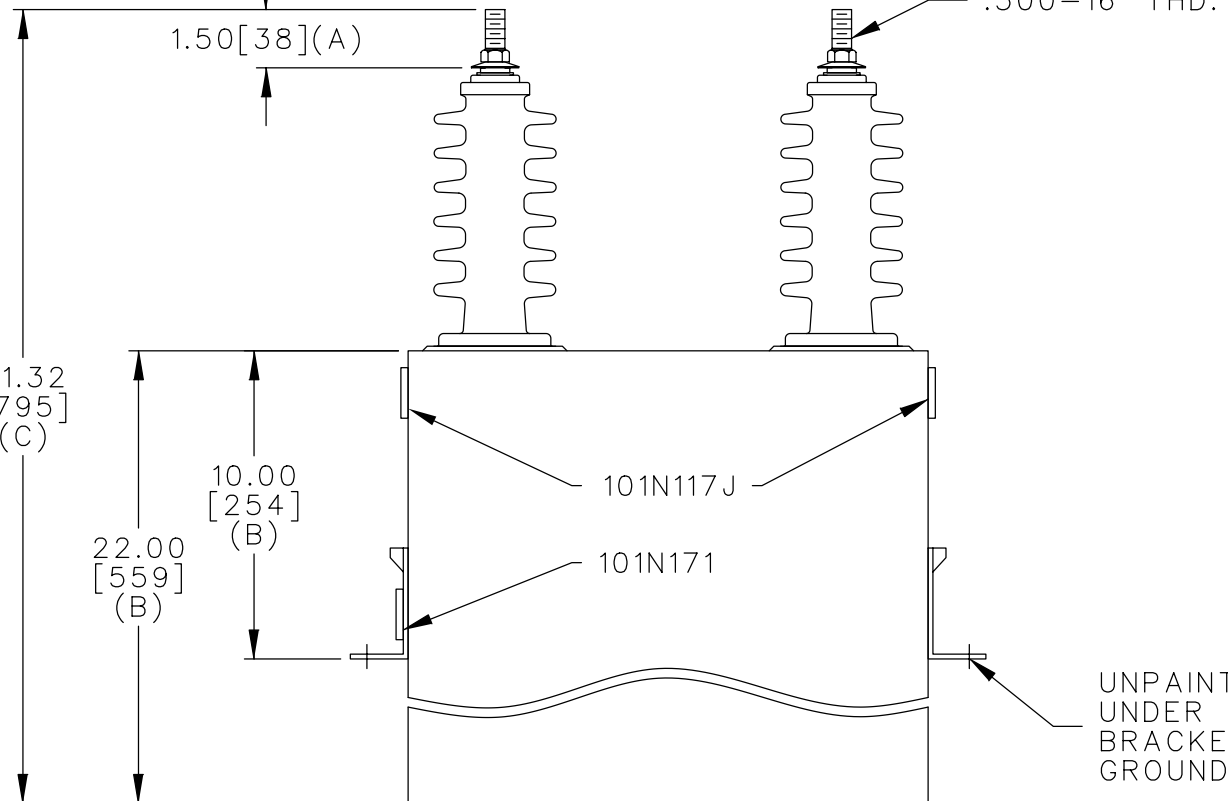


TOL	+/-	BUSH DIA
A	.06	3.12[79](B)
B	.12	
C	.18	
D	.25	
E	.04	



SIZE	DWG NO.	SH	REV
A	16L0098WH3		
REV	1 McGINN 101N171 WAS 101N138		



SCHEMATIC DIAGRAM - 102

RHC 0000-6919-42
 4800V 1 PH 95kVBIL
 400KVAR 60Hz
 CAT. 16L0098WH3
 2.5 GAL.
 MFG DATE
 101N171 READ GEH-2743

* UP TO +.50 CASE BULGE

	CAPACITOR & POWER PROTECTION FORT EDWARD, N.Y., U.S.A.		SIZE A	OUTLINE 16L0098WH3		DISTR TO
	DRAWN E.McGINN	JUNE 6, 2000		SCALE	SHEET 2 CONT. 3	
ISSUED	6-7-00					