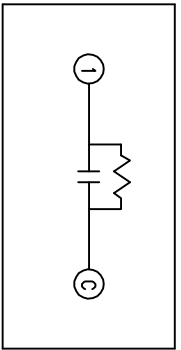
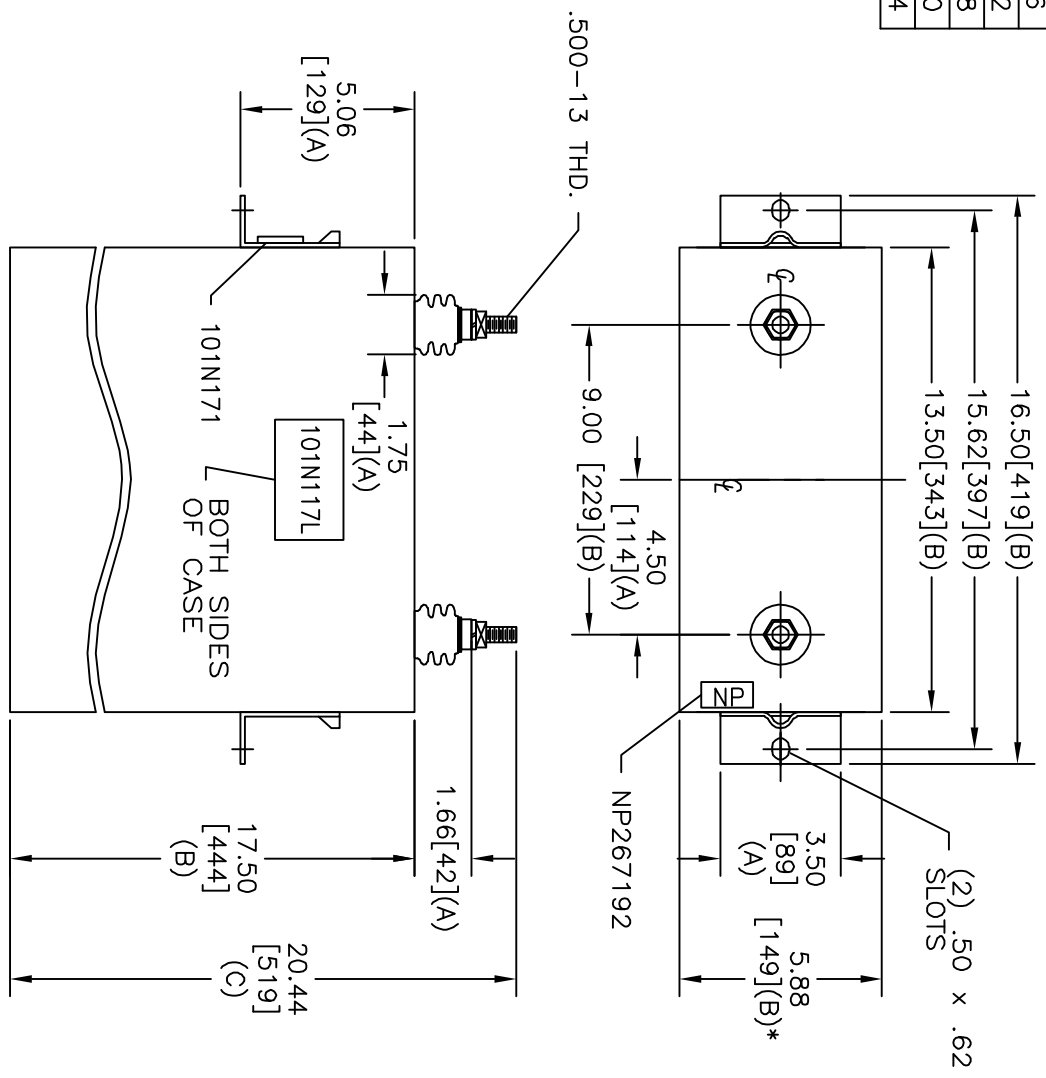


TOL	+/-
A	.06
B	.12
C	.18
D	.50
E	.04



SCHEMATIC DIAGRAM - 102

600V	1 PH	30 KVBL
100	KVAR	50 HZ
CAT	16L0101WH3	SN
	2.1 GAL.	
101N171	MFG DATE	
	READ DATE	GEH-2743

\* UP TO +.50 CASE BULGE

MAX. TERMINAL TIGHTENING TORQUE 15 FT-LBS

SIZE	DWG NO	SHT	REV
A	16L0101WH3	2	
REV	DESCRIPTION	DATE	APPROVED

GE ENERGY  
FORT EDWARD, N.Y., U.S.A.

DRAWN B. ROSS  
ISSUED

DATE 5/16/2007  
DATE 5/16/2007

SIZE A  
SCALE

**OUTLINE**  
**16L0101WH3**

SHEET 2 CONT 3

DISTR. TO