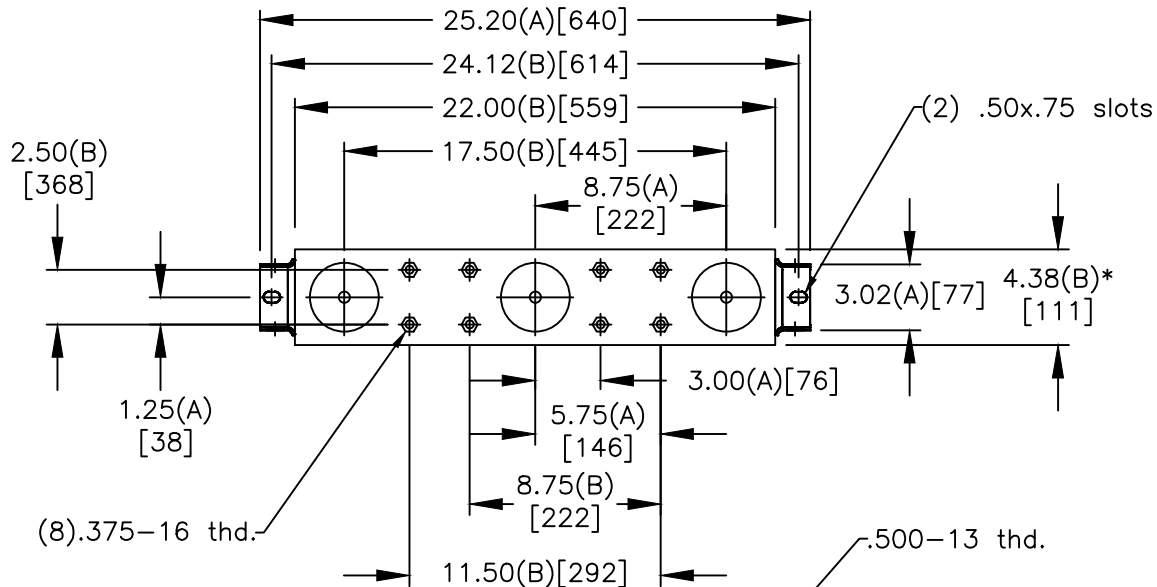
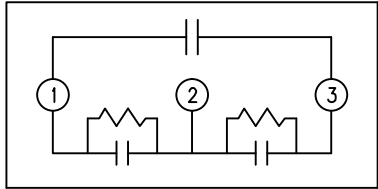


SIZE A	DWG NO 16L0111WH3	SHT 2	REV 3
REV 3	DESCRIPTION add lifting brkt	DATE 6/25/2018	APPROVED JBC

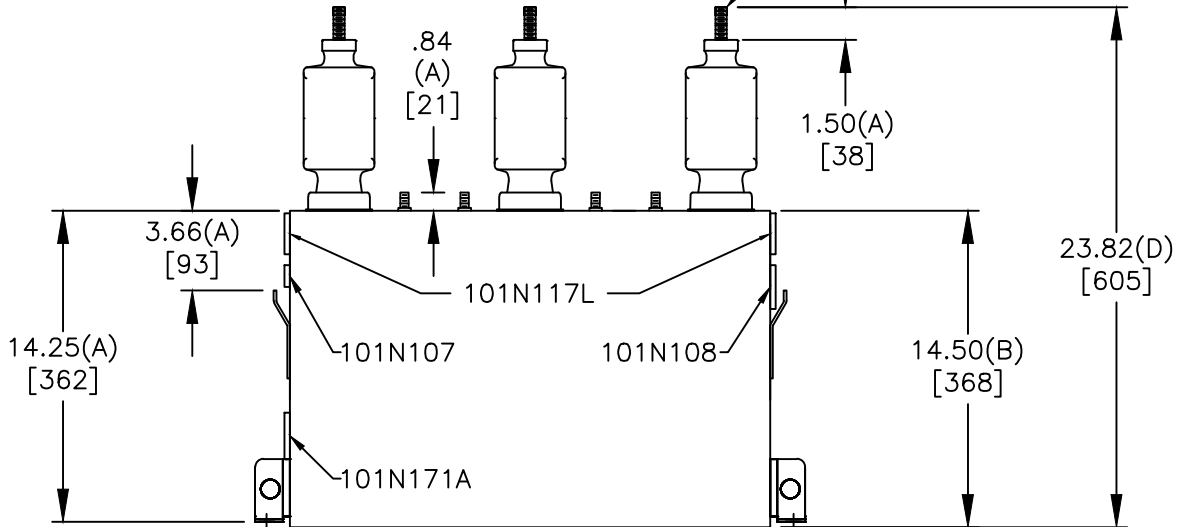


TOL	+/-
A	.06
B	.12
C	.18
D	.25

* UP TO +.50 CASE BULGE



SCHEMATIC DIAGRAM - 304



Capacitor
With Dielektrol Fluid
With Internal Discharge Resistors

Volt. 6600 PH 3 kVBIL 95
kVAR 100 Hz 50 Mea.
Cat. 16L0111WH3 SN.
DELTA CONN

Contains 2.4 Gal. Combustible Liquid with less than one part per million PCB on MFG date:
CAUTION! Before installing or operating Read GEH- 2743
101N171A Clearwater, Florida USA

GE POWER Clearwater, Florida USA		SIZE A
DRAWN E.McGinn	DATE 7/20/1999	SCALE
ISSUED	DATE 7/21/1999	

OUTLINE
16L0111WH3

SHEET 2	CONT ON 3
------------	--------------

DISTR. TO