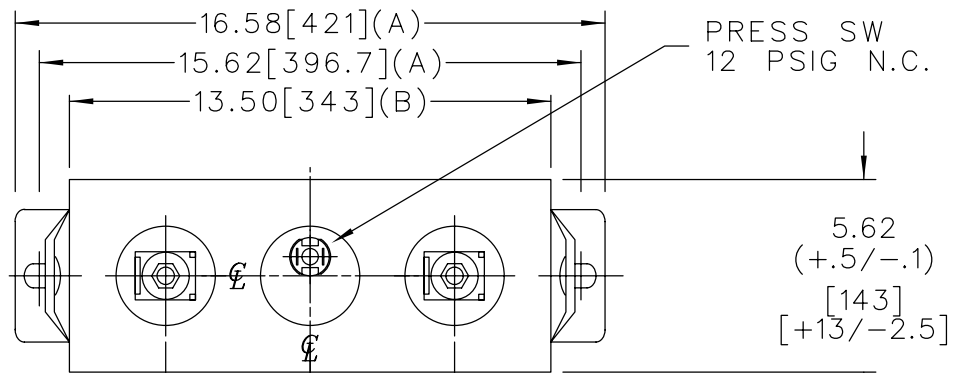
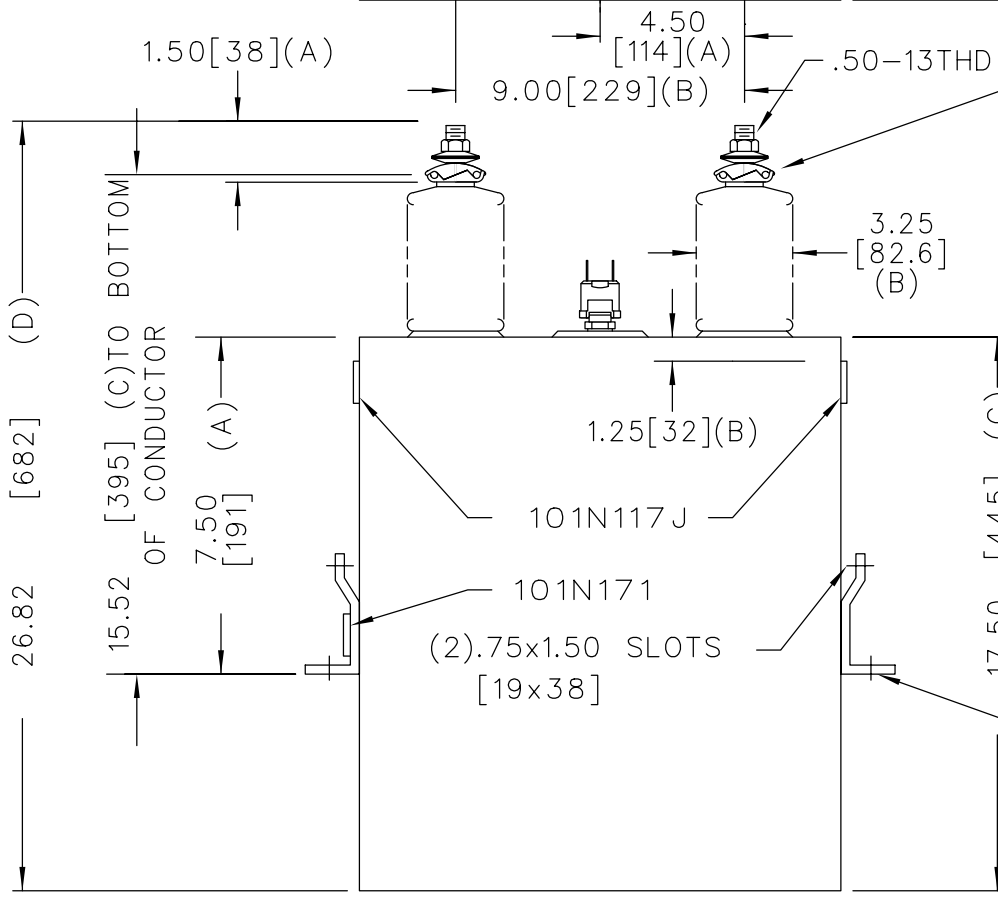


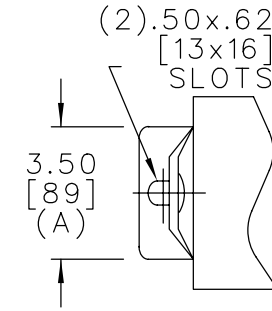
|                  |                                 |                |      |
|------------------|---------------------------------|----------------|------|
| SIZE<br><b>A</b> | DWG<br>NO.<br><b>16L0122WH4</b> | SH<br><b>2</b> | REV  |
| REV<br><b>1</b>  | McGINN UPDATE CAT NO            |                | DATE |



5.62  
(+.5/- .1)  
[143]  
[+13/-2.5]



SOLDERLESS CONN. FOR  
#10 SOLID TO #2 STRD COND.



| TOL | in. | mm  |
|-----|-----|-----|
| A   | .06 | 1.5 |
| B   | .12 | 3.0 |
| C   | .18 | 4.6 |
| D   | .25 | 6.4 |

4160 V    1 Ph    95 kVBIL  
250 kVAR    50 Hz  
CAT. 16L0122WH4  
2.1 GAL.  
MFG DATE  
101N171    READ GEH-2743

UNPAINTED AREA  
UNDER BOTH BRKTS  
FOR GROUNDING

|   |                                  |                                      |           |       |         |         |
|---|----------------------------------|--------------------------------------|-----------|-------|---------|---------|
| <p>CAPACITOR &amp; POWER PROTECTION<br/>FORT EDWARD, N.Y., U.S.A.</p> | SIZE<br><b>A</b>                 | <h1>OUTLINE</h1> <h2>16L0122WH4</h2> | DISTR. TO |       |         |         |
|   | DRAWN E. McGINN    SEPT. 8, 1997 |                                      |           | SCALE | SHEET 2 | CONT. 3 |
|   | ISSUED    9-10-97                |                                      |           |       |         |         |