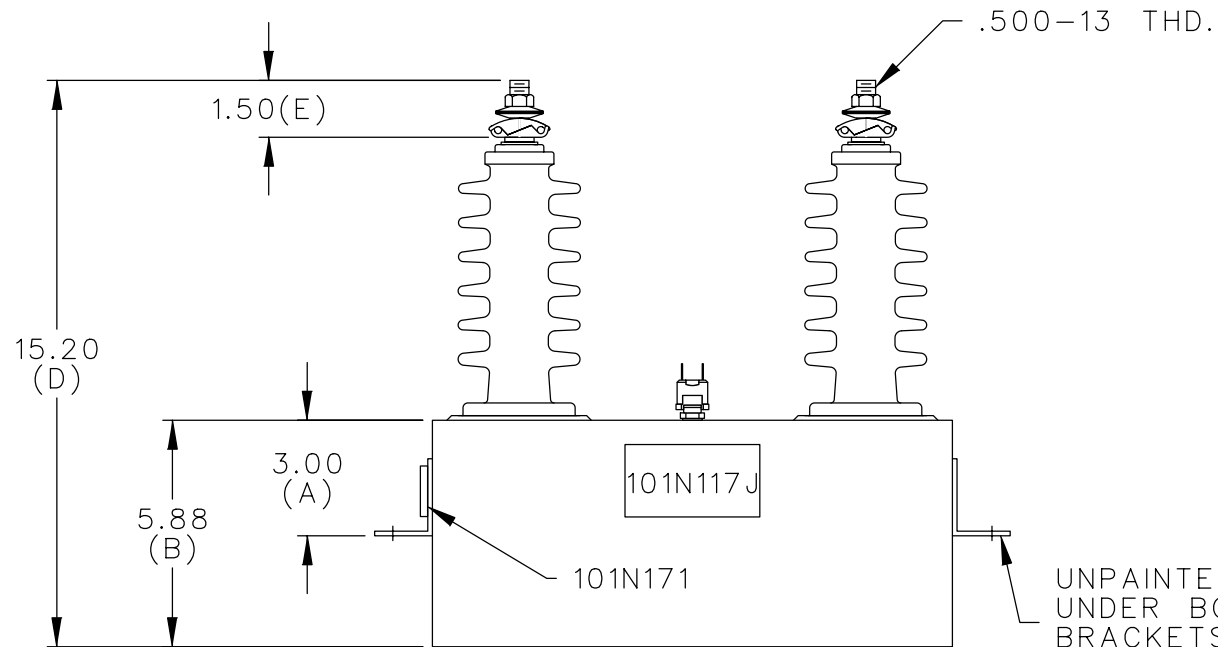
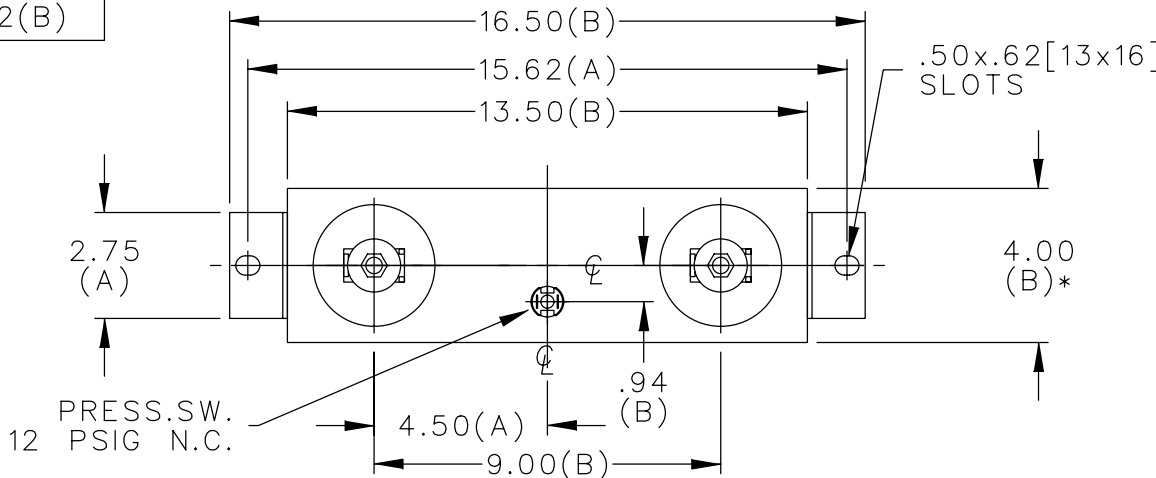


TOL	+/-	BUSH DIA
A	.06	3.12(B)
B	.12	
C	.18	
D	.25	
E	.04	

SIZE	DWG NO.	SH	REV
A	16L0134WH4		
REV		DATE	



HARNISCHFEGER P. NO. 84U5D9  
 3810 V 1 PH 75 KVBIL  
 15 KVAR 50 HZ  
 CAT. 16L0134WH4  
 0.8 GAL.  
 MFG DATE  
 101N171 READ GEH-2743

\* UP TO +.50  
 CASE BULGE

MAX. TERMINAL  
 TIGHTENING TORQUE  
 15 FT-LBS

NP267192A

	CAPACITOR & POWER PROTECTION FORT EDWARD, N.Y., U.S.A.		SIZE <b>A</b>	25/11 LB/KG	<b>OUTLINE</b> <b>16L0134WH4</b>	SHEET 2 CONT. 3 ON ON
	DRAWN TMO	MAR 20, 1997	SCALE	DISTR TO		
ISSUED						