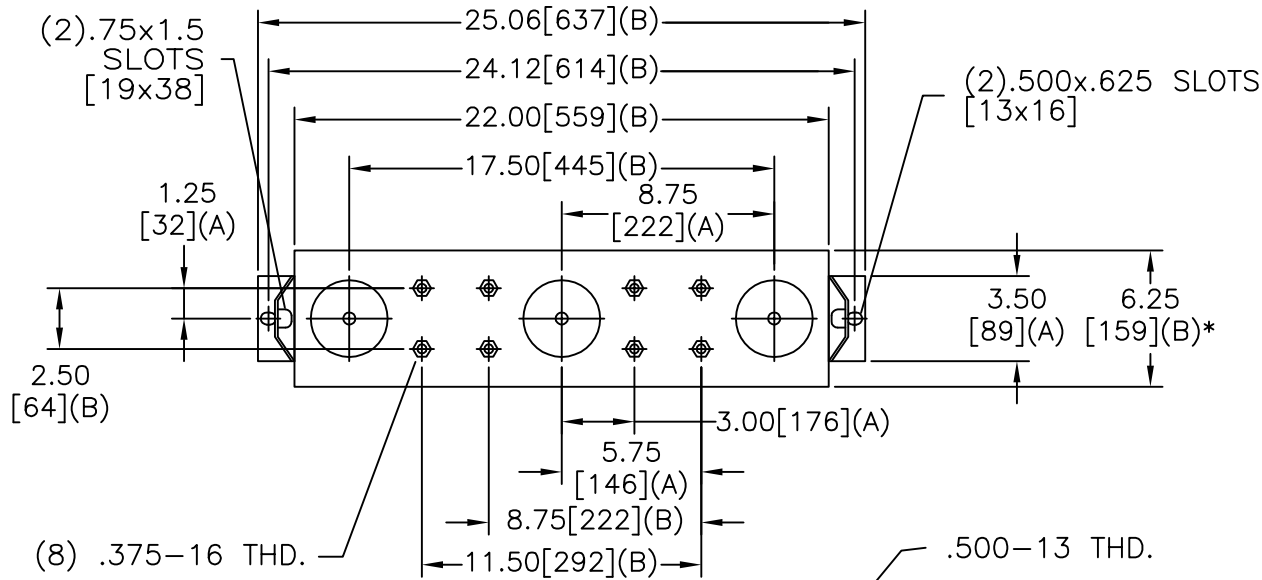
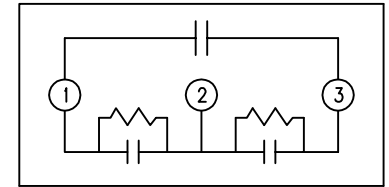
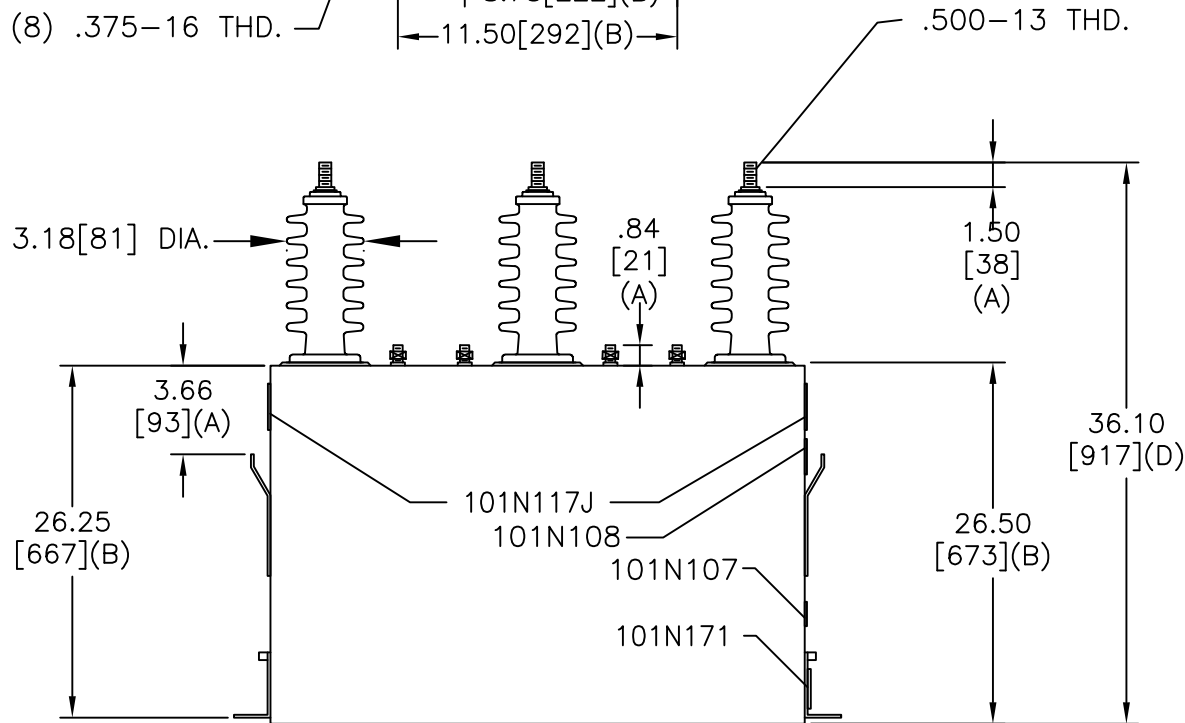


SIZE A	DWG NO 16L0152WH3	SHT 2	REV 3
REV 3	DESCRIPTION CHG ITEM ON NP	DATE 3/19/2013	APPROVED BTR



TOL	+/-
A	.06
B	.12
C	.18
D	.25

* UP TO +.75 CASE BULGE



SCHEMATIC DIAGRAM - 304

6600 V	3 PH	KVBIL
450 KVAR	60 Hz	
CAT 16L0152WH3	SN	
5.00 GAL.		
MFG DATE		
101N171	READ GEH- 2743	

INDUSTRIAL SYSTEMS FORT EDWARD, N.Y., U.S.A.	SIZE A	EST WT 218/99 LB/KG	<h1>OUTLINE</h1> <h2>16L0152WH3</h2>	DISTR. TO
	DRAWN E.McGINN DATE 1/28/1997 ISSUED DATE 2/5/1997			