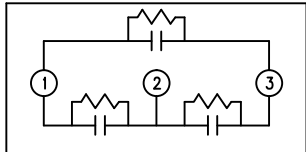
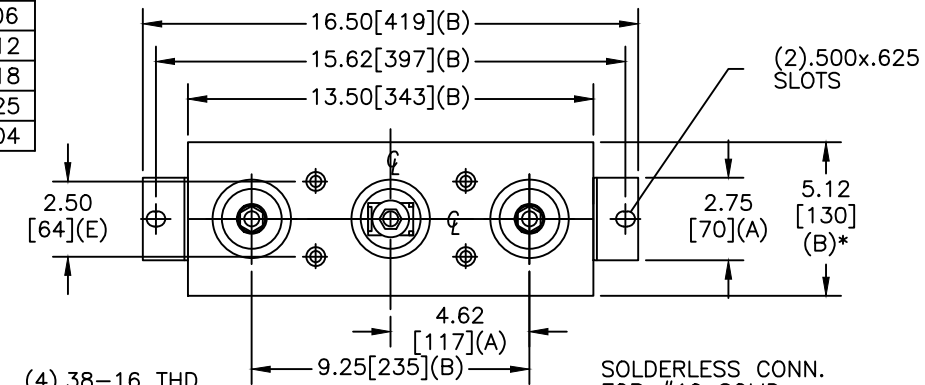
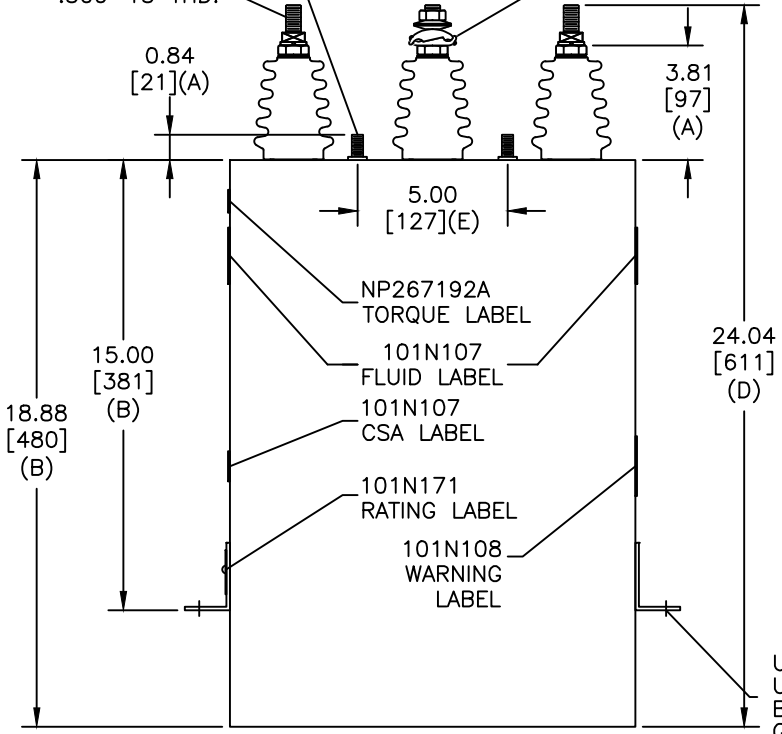


SIZE A	DWG NO 16L0159WS3090	SHT 2	REV
REV	DESCRIPTION	DATE	APPROVED

TOL	+/-
A	.06
B	.12
C	.18
D	.25
E	.04



SCHEMATIC DIAGRAM - 302



3300V 3PH 60 kVBIL
 188.8 KVAR 60 Hz
 CAT 16L0159WS3090 SN
 1.96 GAL.
 MFG DATE
 101N171 READ GEH- 2743

* UP TO +.50[13] CASE BULGE

MAX. TERMINAL TIGHTENING TORQUE
 15 FT-LBS
 NP267192A

GE ENERGY FORT EDWARD, N.Y., U.S.A.		SIZE A
DRAWN HBO	DATE 3/9/2015	SCALE
ISSUED	DATE 3/9/2015	

OUTLINE
16L0159WS3090

SHEET 2 CONT ON 3

DISTR. TO