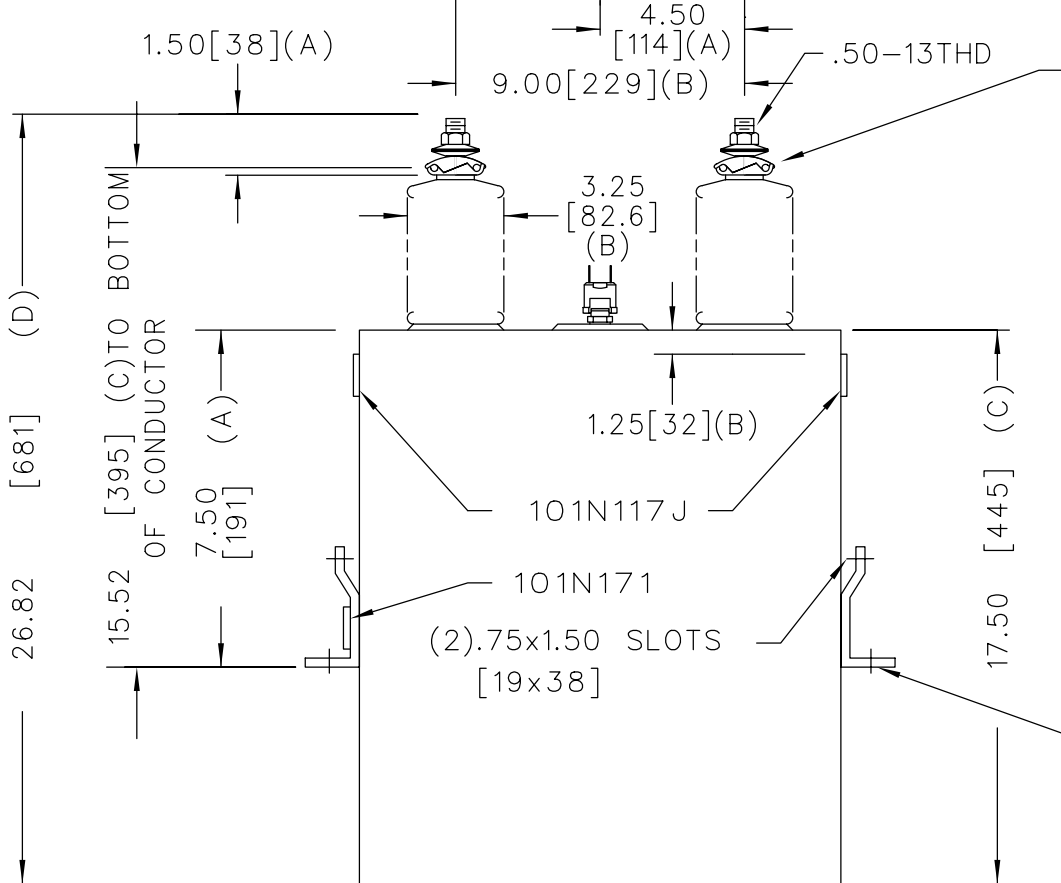
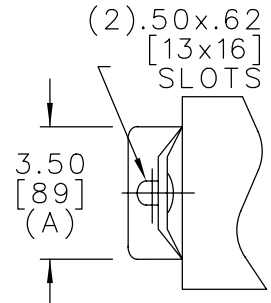


\* UP TO +.50 CASE BULGE



SOLDERLESS CONN. FOR #10 SOLID TO #2 STRD COND.

TOL	in.
A	.06
B	.12
C	.18
D	.25



2770 V	1 Ph	95 kVBIL
178 kVAR		60 Hz
CAT. 16L0188WH4		
2.3 GAL.		
MFG DATE		
101N171	READ	GEH-2743

UNPAINTED AREA UNDER BOTH BRKTS FOR GROUNDING