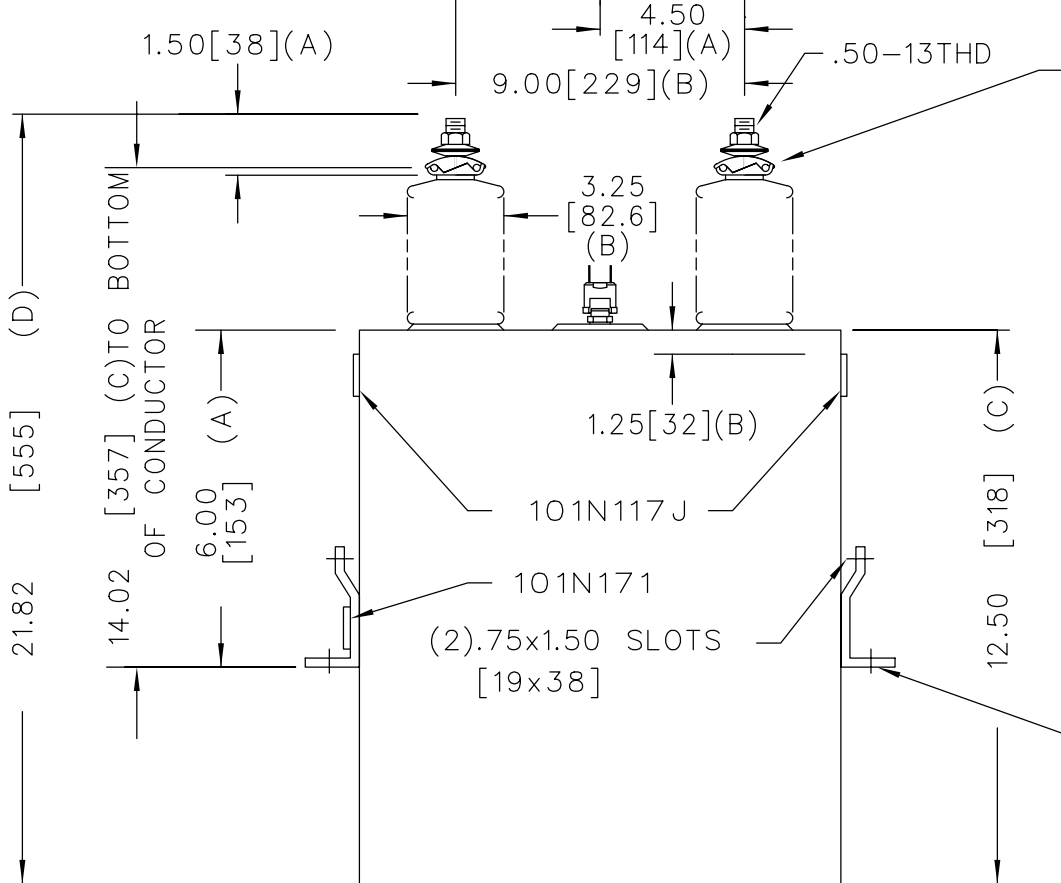
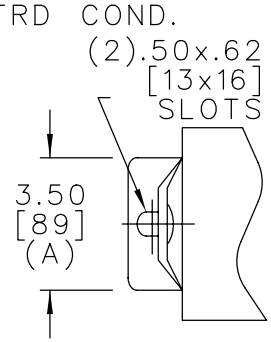


* UP TO +.50 CASE BULGE



SOLDERLESS CONN. FOR #10 SOLID TO #2 STRD COND.



| TOL | in. |
|-----|-----|
| A | .06 |
| B | .12 |
| C | .18 |
| D | .25 |

| | | |
|-----------------|------|----------|
| 2770 V | 1 Ph | 95 kVBIL |
| 133 kVAR | | 60 Hz |
| CAT. 16L0192WH4 | | |
| 1.8 GAL. | | |
| MFG DATE | | |
| 101N171 | READ | GEH-2743 |

UNPAINTED AREA UNDER BOTH BRKTS FOR GROUNDING

DISTR. TO