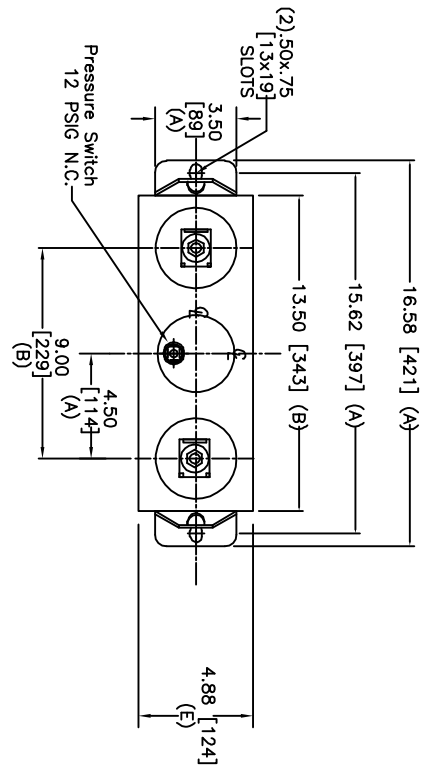
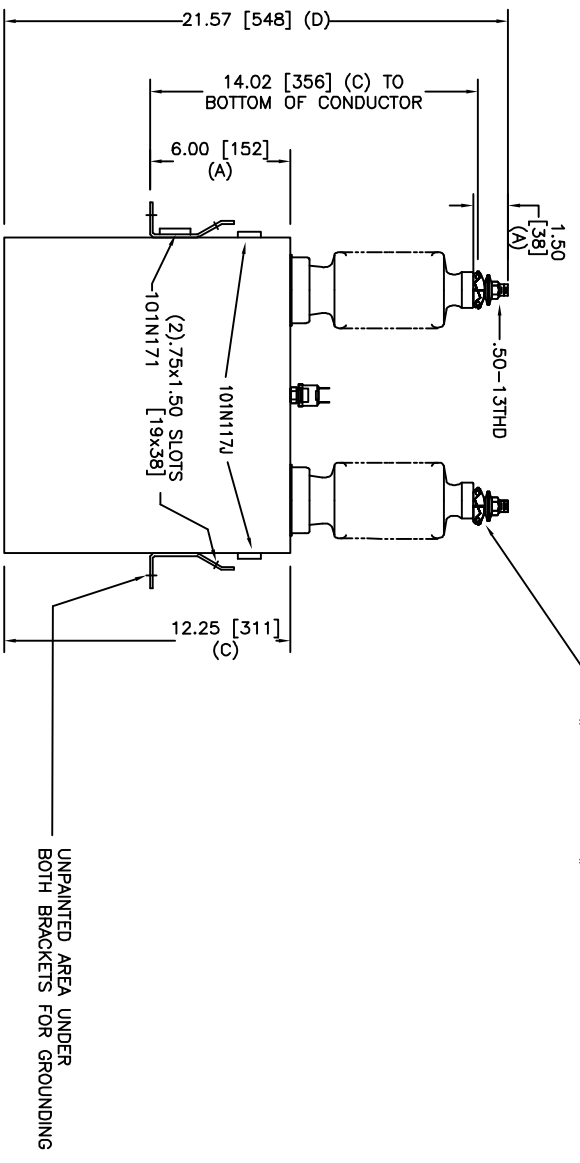


| | | | |
|------|-------------|----------|----------|
| SIZE | DWG NO | SHT | REV |
| A | 16L0193WH4 | 2 | 1 |
| REV | DESCRIPTION | DATE | APPROVED |
| 1 | Redrow | 5/2/2006 | BTR |



| TOL | in. | mm |
|-----|-------|-----------|
| A | .06 | 1.5 |
| B | .12 | 3.0 |
| C | .18 | 4.6 |
| D | .25 | 6.4 |
| E | +.5/- | +.13/-2.5 |



4160 V 1 PH 95 KVBL
 100 KVAR 60 Hz
 CAT. BTR16L0193WH4
 1.49 GAL
 MFG DATE
 101N171 READ GEH-2743



INDUSTRIAL SYSTEMS
 FORT EDWARD, N.Y., U.S.A.

| | | | |
|--------|--------|------|------------|
| DRAWN | McGinn | DATE | 11/19/1998 |
| ISSUED | | DATE | 11/18/1998 |

| | | |
|-------|--------|-------------------|
| SIZE | WEIGHT | OUTLINE |
| A | | 16L0193WH4 |
| SCALE | | SHEET 2 CONT 3 |