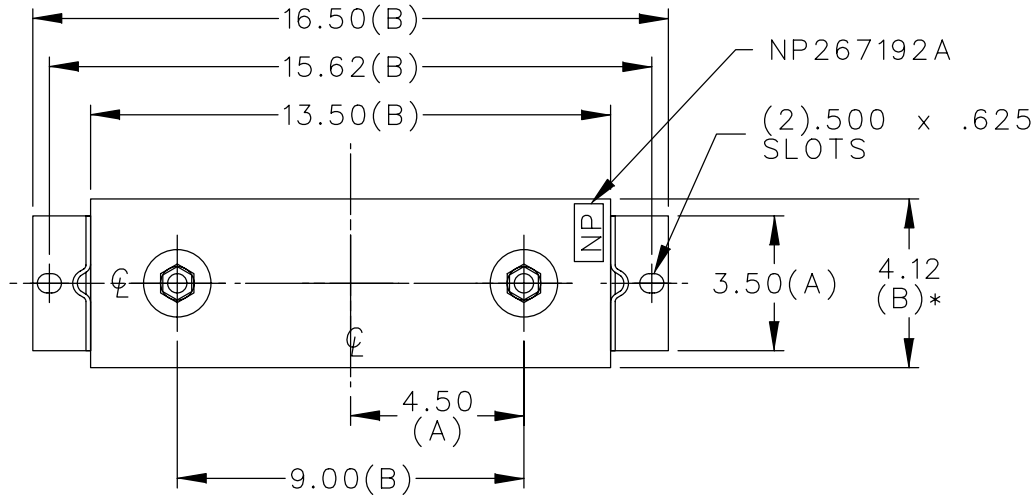
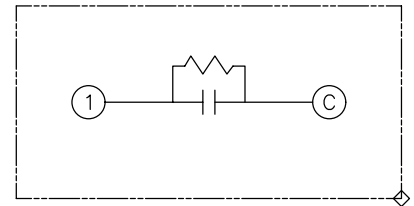
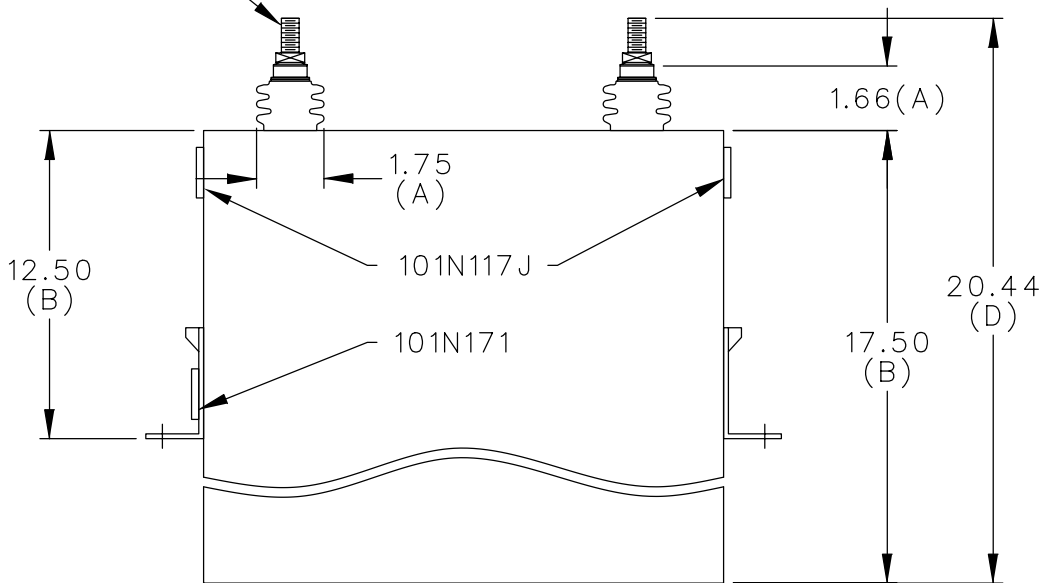


SIZE A	DWG. NO. 16L0215WH3	SH 2	REV
REV			

TOL	+/-
A	.06
B	.12
C	.18
D	.25
E	.03



.500-13 THD.



SCHEMATIC DIAGRAM - 102

1500 V 1 PH KVBIL
 150 KVAR 60 HZ
 CAT. 16L0215WH3
 1.4 GAL.
 MFG DATE
 101N171 READ GEH-2743

* UP TO +.50
 CASE BULGE

MAX. TERMINAL
 TIGHTENING TORQUE
 15 FT-LBS

NP267192A

	CAPACITOR & POWER PROTECTION FORT EDWARD, N.Y., U.S.A.		SIZE A	FSCM NO	OUTLINE 16L0215WH3	SHEET 2 CONT 3
	DRAWN E.McGINN	FEB. 29, 2000	SCALE	DISTR TO		
ISSUED						