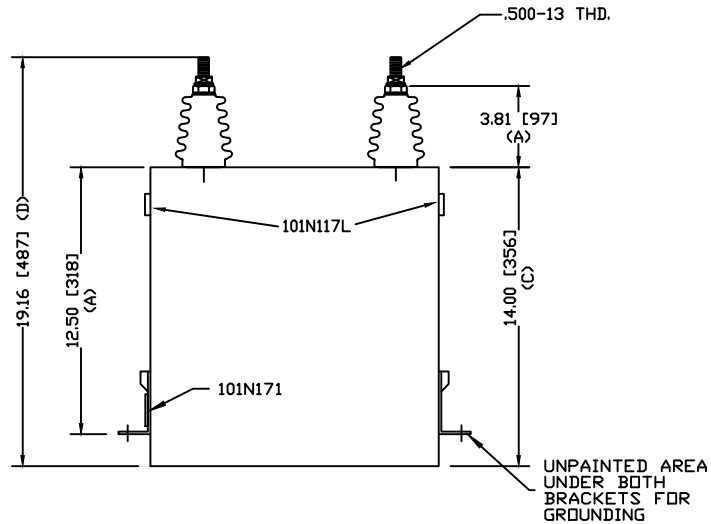
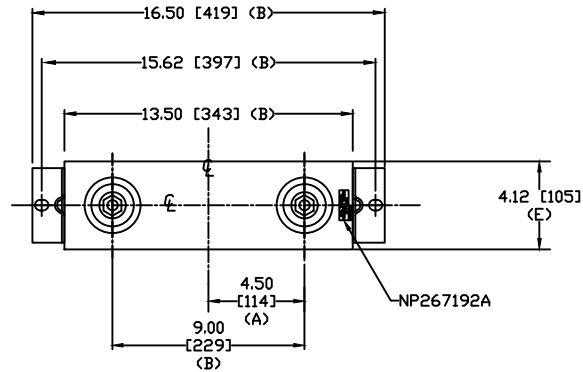


SIZE A	DWG NO 16L0232WH3	SHT 2	REV 1
REV 1	DESCRIPTION UPDATE NP & BUSHING	DATE 8/14/2013	APPROVED JBC



TOL	in.	mm
A	.06	1.5
B	.12	3.0
C	.18	4.6
D	.25	6.4
E	+5/-1	+13/-2.5

2600 V 1 PH 60 KVBL
120 KVAR 60 Hz
CAT. 16L0232WH3
1.4 GAL
MFG DATE
101N171 READ GEH-2743

GE ENERGY FORT EDWARD, N.Y., U.S.A.	SIZE A	EST WEIGHT 44 lbs. 20 kg	OUTLINE 16L0232WH3
	DRAWN E. MCGINN	DATE 11/14/2000	
ISSUED	DATE 11/14/2000	SCALE	SHEET 2 CONT ON 3

DISTR. TO