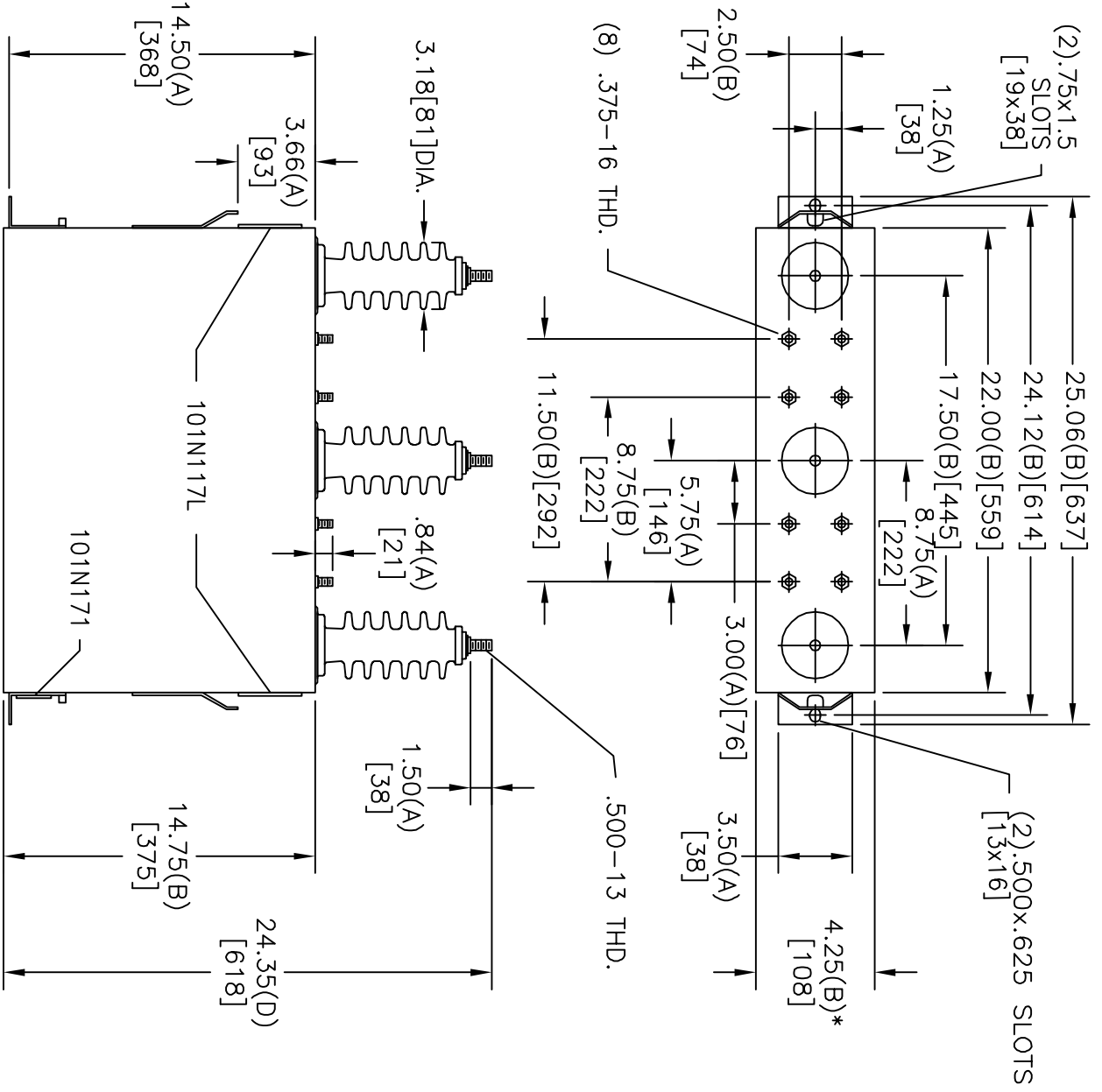
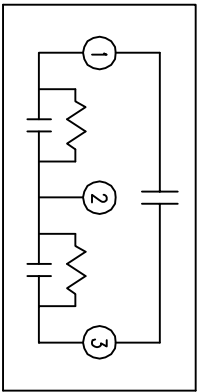


SIZE	DWG. NO.	SHT	REV
A	16L0237WH3	2	
REV	DESCRIPTION	DATE	APPROVED
1	UPDATE LABEL	02/23/2011	JBC



TOL	+/-
A	.06
B	.12
C	.18
D	.25

* UP TO +.50 CASE BULGE



SCHEMATIC DIAGRAM - 304

6600V	3 PH	KVBIL
125 CAT	KVAR	50 Hz
16L0237WH3	SN	
2.20 GAL.	MFG DATE	
101N171	READ	GEH-2743

GE ENERGY FORT EDWARD, N.Y., U.S.A.		SIZE	A
		SCALE	
DRAWN	E. MCGINNIN	DATE	02/26/2001
ISSUED		DATE	04/26/2001
<h1>OUTLINE</h1> <h2>16L0237WH3</h2>		SHEET	2
		CONT	3