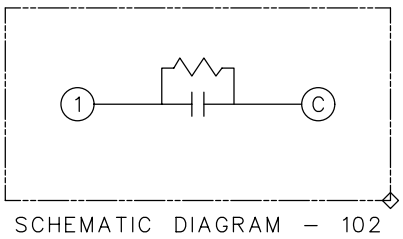
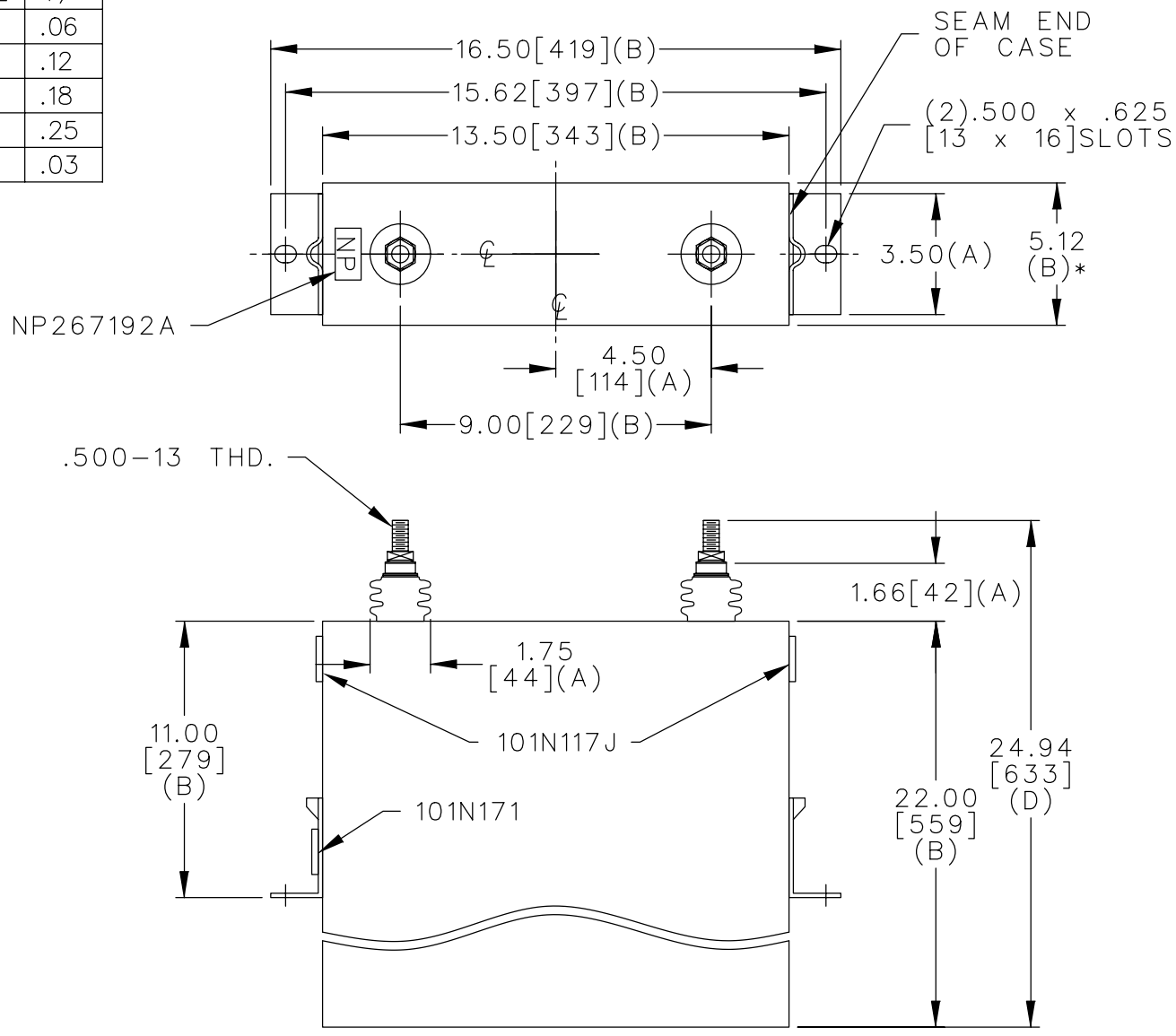


SIZE A	DWG NO. 16L0238WH3	SH 2	REV
REV 1	McGINN DEL COM TERM		

TOL	+/-
A	.06
B	.12
C	.18
D	.25
E	.03



675UF
 600 V 1 PH KVBIL
 91.6 KVAR 60 HZ
 CAT. 16L0238WH3
 2.1 GAL.
 MFG DATE
 101N171 READ GEH-2743

* UP TO +.50 [13] CASE BULGE

MAX. TERMINAL TIGHTENING TORQUE 15 FT-LBS

NP267192A

	CAPACITOR & POWER PROTECTION FORT EDWARD, N.Y., U.S.A.		SIZE A	FSCM NO	OUTLINE 16L0238WH3	DISTR TO
	DRAWN E.McGINN	MAY 14, 2001	SCALE	SHEET 2 CONT 3		
ISSUED	5-23-01					